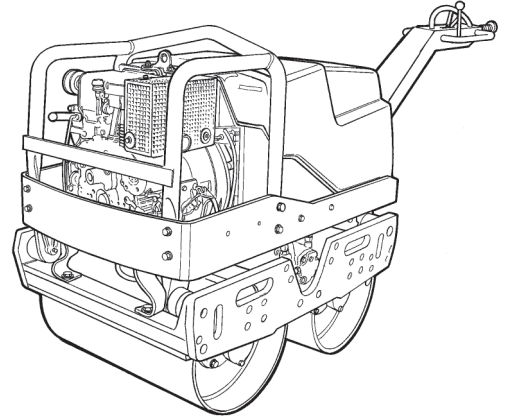


Spare parts list Duplex roller

| | Valid from serial number |
|------------------------|--------------------------|
| LP 6500 Electric start | 16506001 |
| LP 6500 Manual start | 16506001 |
| LP 6500 Electric start | BGF000001 |
| LP 6500 Manual start | BGF000001 |



Contents

| | |
|---|----|
| General information..... | 5 |
| Spare parts list..... | 6 |
| Lower frame, protective frame and engine plate..... | 6 |
| Scrapers..... | 8 |
| Sprinkler system..... | 10 |
| Drum..... | 12 |
| Eccentric element..... | 14 |
| Engine installation..... | 16 |
| Engine, Hatz 1D50S manual started..... | 18 |
| Engine, Hatz 1D50S electric started..... | 22 |
| Fuel tank Hatz 1D50..... | 26 |
| Centrifugal clutch..... | 28 |
| Hydraulic system, drum motors and propulsion motor..... | 30 |
| Hydraulic system, vibration motor and pump..... | 32 |
| Drum motor..... | 34 |
| Hydraulic pump, propulsion..... | 36 |
| Electrical equipment..... | 38 |
| Handle..... | 40 |
| Throttle control..... | 42 |
| Handbrake..... | 44 |
| Labels..... | 46 |
| Kits..... | 48 |
| Service kit..... | 48 |
| Seal kit, hydraulic propulsion pump..... | 48 |
| Seal kit, drum motor..... | 48 |
| Shim kit, drum motor..... | 48 |
| Safety crank handle kit..... | 49 |

General information

This spare parts list applies to the following:

| Part number | Description |
|--------------|--------------------------------------|
| 3382 0000 00 | Duplex roller LP 6500 Electric start |
| 3382 0000 01 | Duplex roller LP 6500 Manual start |

Use only authorized parts. Any damage or malfunction caused by the use of unauthorized parts is not covered by Warranty or Product Liability. Any unauthorized use or copying of the contents or any part thereof is prohibited. This applies in particular to trademarks, model denominations, part numbers, and drawings.

Instructions for use

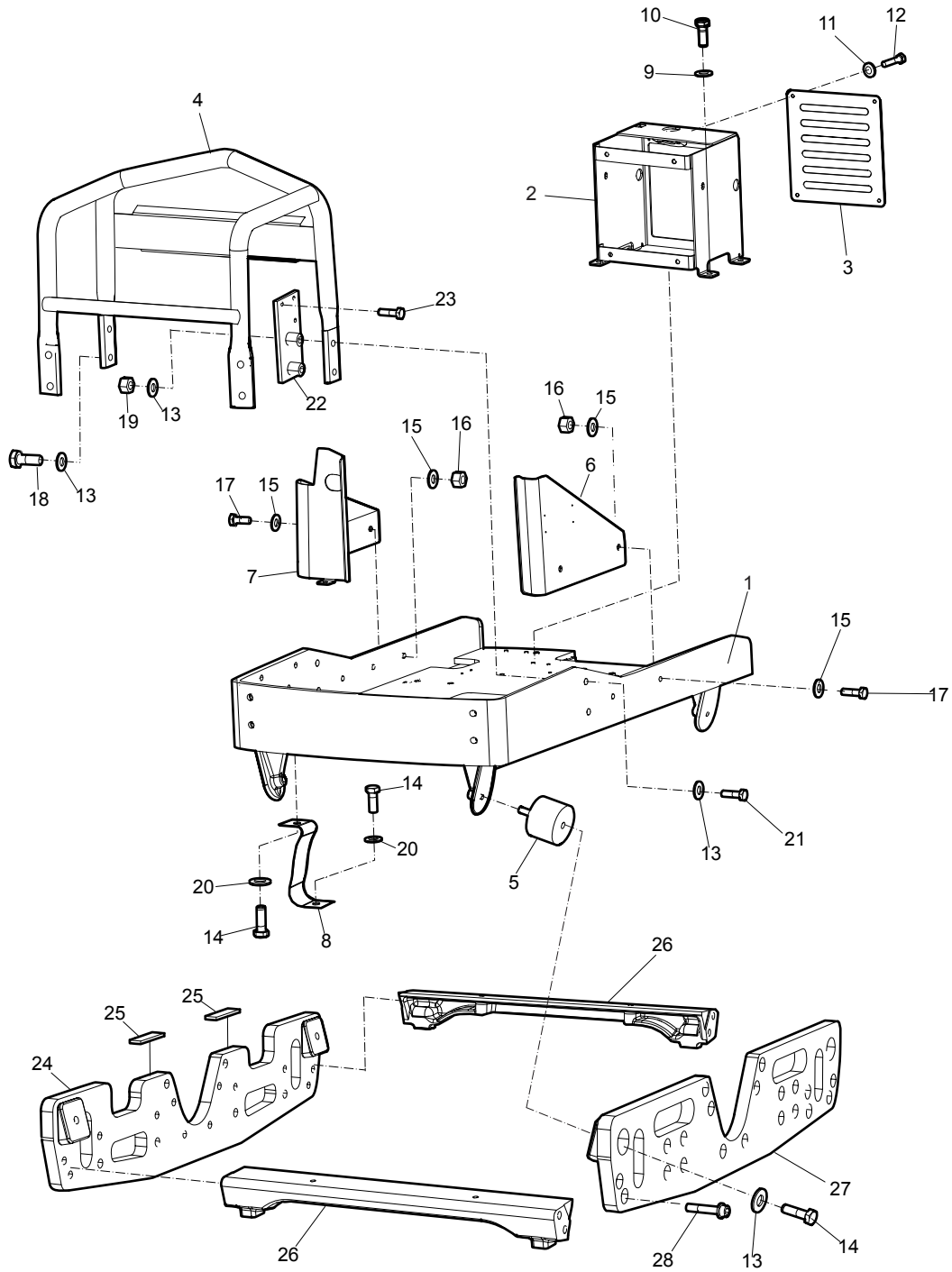
This spare parts list contains no safety regulations and is merely intended to assist in the ordering of spare parts.

For information about operating, servicing, or repairing, the relevant Safety and operating instructions must be consulted at all costs.

Please observe the safety instructions listed in the relevant Safety and operating instructions!

Spare parts list

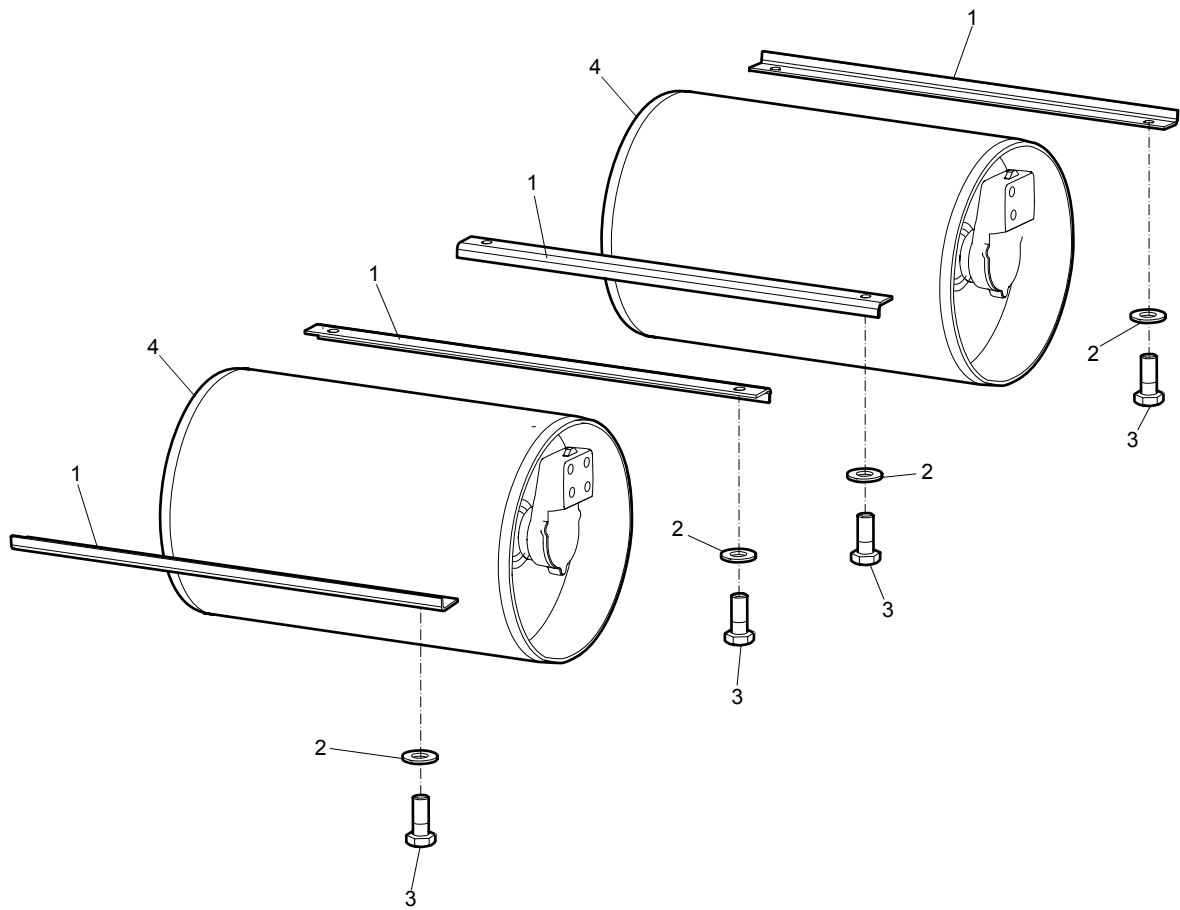
Lower frame, protective frame and engine plate



| No. | Description | Remark | Quantity | Part number |
|-----|------------------|--|----------|--------------|
| 1 | Engine plate | | 1 | 3382 0100 09 |
| 2 | Bracket | | 1 | 4700 3896 54 |
| 3 | Cover | | 1 | 4700 3862 42 |
| 4 | Protective frame | | 1 | 3382 0100 10 |
| 5 | Shock absorber | | 4 | 4700 9289 41 |
| 6 | Cover | | 1 | 3382 0100 11 |
| 7 | Cover | | 1 | 3382 0100 12 |
| 8 | Strap | | 4 | 3382 0100 21 |
| 9 | Washer | 12 x 22 x 2 mm 0.47 x 0.87 x 0.08 in. 300 HV | 4 | - |
| 10 | Screw | M10 x 16 mm 8.8 | 4 | - |
| 11 | Washer | 6 x 18 x 2 mm 0.24 x 0.71 x 0.08 in. 300 HV | 4 | - |
| 12 | Screw | M6 x 16 mm | 4 | - |
| 13 | Washer | 13 x 24 x 2 mm 0.51 x 0.98 x 0.08 in. 300 HV | 20 | 4700 9042 31 |
| 14 | Screw | M12 x 20 mm 8.8 | 10 | - |
| 15 | Washer | 8.4 x 16 x 1.5 mm 0.33 x 0.63 x 0.06 in. 300 HV | 10 | - |
| 16 | Nut | M8 x 1.25 mm | 4 | - |
| 17 | Screw | M8 x 20 mm 8.8 | 6 | - |
| 18 | Scew | M12 x 45 mm 8.8 | 6 | - |
| 19 | Nut | M12 | 8 | - |
| 20 | Washer | 13 x 36 x 6 mm 0.51 x 1.42 x 0.24 in. 300 HV | 8 | - |
| 21 | Screw | M12 x 80 mm 8.8 | 2 | - |
| 22 | Bracket | | 1 | 4700 3973 44 |
| 23 | Screw | M6 x 20 mm 8.8 | 3 | - |
| 24 | Side plate | | 1 | 3382 0100 17 |
| 25 | Rubber cloth | | 2 | 4700 3864 96 |
| 26 | Beam | | 2 | 3382 0100 18 |
| 27 | Side plate | | 1 | 3382 0100 16 |
| 28 | Screw | M12 x 60 mm 12.9 DACROMET® | 8 | 4700 7913 60 |

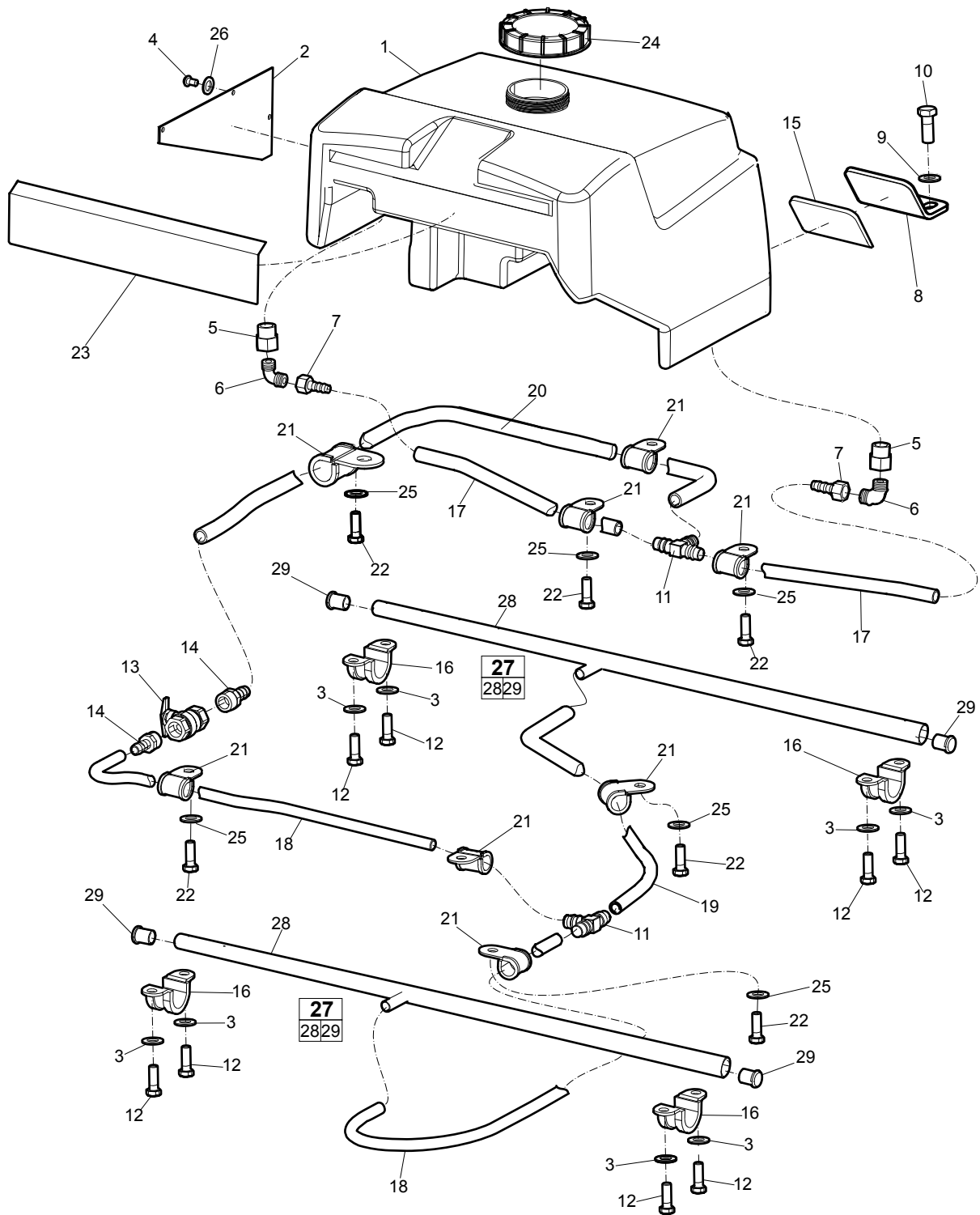
DACROMET® is a registered trademark of Nof Metal Coatings North America Inc.

Scrapers



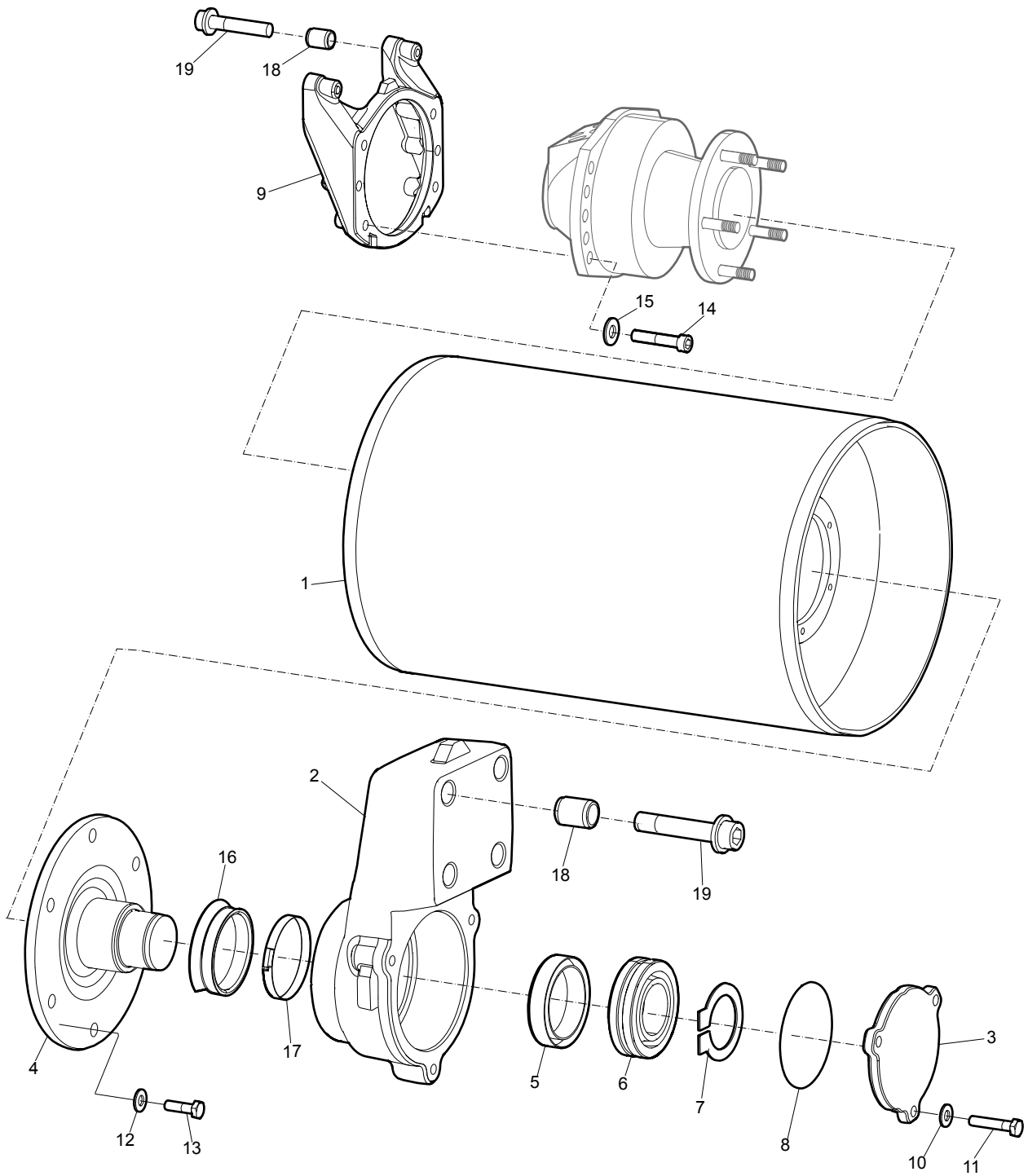
| No. | Description | Remark | Quantity | Part number |
|-----|-------------|---|----------|--------------|
| 1 | Scraper | | 4 | 4700 3856 42 |
| 2 | Washer | 10.5 x 28 x 6 mm 0.41 x 1.10 x 0.24 in. 300 HV | 8 | - |
| 3 | Screw | M10 x 25 mm 8.8 A3K | 8 | - |
| 4 | Drum | See section "Drum" | 2 | - |

Sprinkler system



| No. | Description | Remark | Quantity | Part number |
|------------------|---------------------------------|---|----------|--------------|
| 1 | Water tank | | 1 | 3382 0100 13 |
| 2 | Cover | | 1 | 4700 3872 58 |
| 3 | Washer | 5.3 x 10 x 1 mm 0.21 x 0.39 x 0.04 in. 300 HV | 8 | - |
| 4 | Screw | M6 x 10 mm | 3 | - |
| 5 | Connector | | 2 | 4700 7913 67 |
| 6 | Connector | | 2 | 4700 7913 68 |
| 7 | Hose connection | | 2 | 4700 7913 69 |
| 8 | Bracket | | 2 | 4700 3884 41 |
| 9 | Washer | 10.5 x 22 x 2 mm 0.41 x 0.87 x 0.08 in. 300 HV | 4 | - |
| 10 | Screw | M10 x 22 mm | 4 | - |
| 11 | Hose connection | | 2 | 4700 7913 62 |
| 12 | Screw | M6 x 16 mm | 8 | - |
| 13 | Ball valve | | 1 | 4700 7913 70 |
| 14 | Hose connection | | 2 | 4700 7916 50 |
| 15 | Rubber cloth | | 2 | 4700 3858 84 |
| 16 | Pipe clamp | | 4 | 4700 7913 15 |
| 17 | Hose | 270 mm 10.63 in. | 2 | 4700 2440 08 |
| 18 | Hose | 600 mm 23.62 in. | 2 | 4700 2440 08 |
| 19 | Hose | 470 mm 18.50 in. | 1 | 4700 2440 08 |
| 20 | Hose | 680 mm 26.77 in. | 1 | 4700 2440 08 |
| 21 | Clamp | 13 x 8.4 x 20 mm 0.51 x 0.33 x 0.79 in. | 8 | 4700 9210 72 |
| 22 | Screw | M8 x 16 mm | 8 | - |
| 23 | Rubber cloth | | 1 | 4700 3858 84 |
| 24 | Filler cap | | 1 | 4700 9208 19 |
| 25 | Washer | 8.4 x 16 x 1.5 mm 0.33 x 0.63 x 0.06 in. 300 HV | 8 | - |
| 26 | Washer | 6 x 18 x 2 mm 0.24 x 0.71 x 0.08 in. 300 HV | 3 | - |
| 27(28-29) | Sprinkler pipe, complete | There are two sprinkler pipe, complete on the machine | 1 | 4700 3968 29 |
| 28 | Pipe | | 1 | - |
| 29 | Plug | | 2 | 4700 7914 29 |

Drum

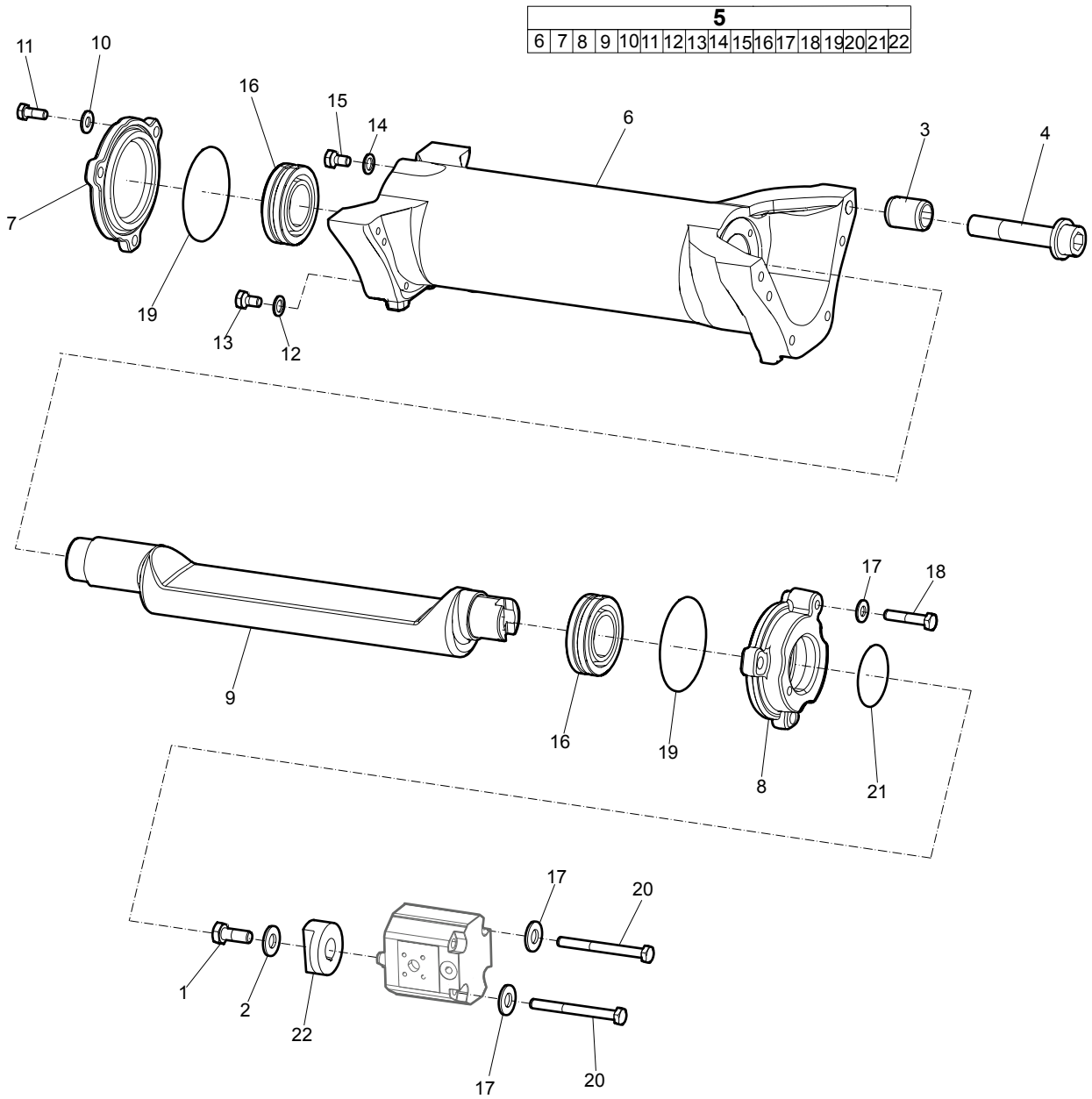


| No. | Description | Remark | Quantity | Part number |
|-----|------------------|--|----------|--------------|
| 1 | Drum | | 1 | 3382 0100 20 |
| 2 | Bearing bracket | | 1 | 4700 3825 04 |
| 3 | Bearing cover | | 1 | 4700 3823 04 |
| 4 | Drum shaft | | 1 | 4700 3844 70 |
| 5 | Oil seal | | 1 | 4700 7912 46 |
| 6 | Bearing | | 1 | 4700 7912 40 |
| 7 | Retainer ring | | 1 | 4700 1500 17 |
| 8 | O-ring | 84.5 x 3.0 mm 3.33 x 0.12 in. | 1 | 4700 1600 32 |
| 9 | Drum bracket | | 1 | 4700 3844 23 |
| 10 | Washer | 8.4 x 16 x 1.5 mm 0.33 x 0.63 x 0.06 in. 300 HV | 3 | - |
| 11 | Screw | M8 x 20 mm 8.8 | 3 | - |
| 12 | Washer | 10.5 x 22 x 2 mm 0.41 x 0.87 x 0.08 in. 300 HV | 6 | - |
| 13 | Screw | M10 x 25 mm 8.8 | 6 | - |
| 14 | Screw | M12 x 55 mm 12.9 GEOMET® | 6 | 4700 9035 63 |
| 15 | Washer | 13 x 24 x 2 mm 0.51 x 0.98 x 0.08 in. 300 HV | 6 | 4700 9042 31 |
| 16 | Protective cover | | 1 | 4700 3866 04 |
| 17 | Hose clamp | | 1 | 4700 3130 33 |
| 18 | Sleeve | | 4 | 4700 3849 02 |
| 19 | Screw | M12 x 60 mm 12.9 DACROMET® | 8 | 4700 7913 60 |

GEOMET is a registered trademark of Nof Metal Coatings North America Inc.

DACROMET is a registered trademark of Nof Metal Coatings North America Inc.

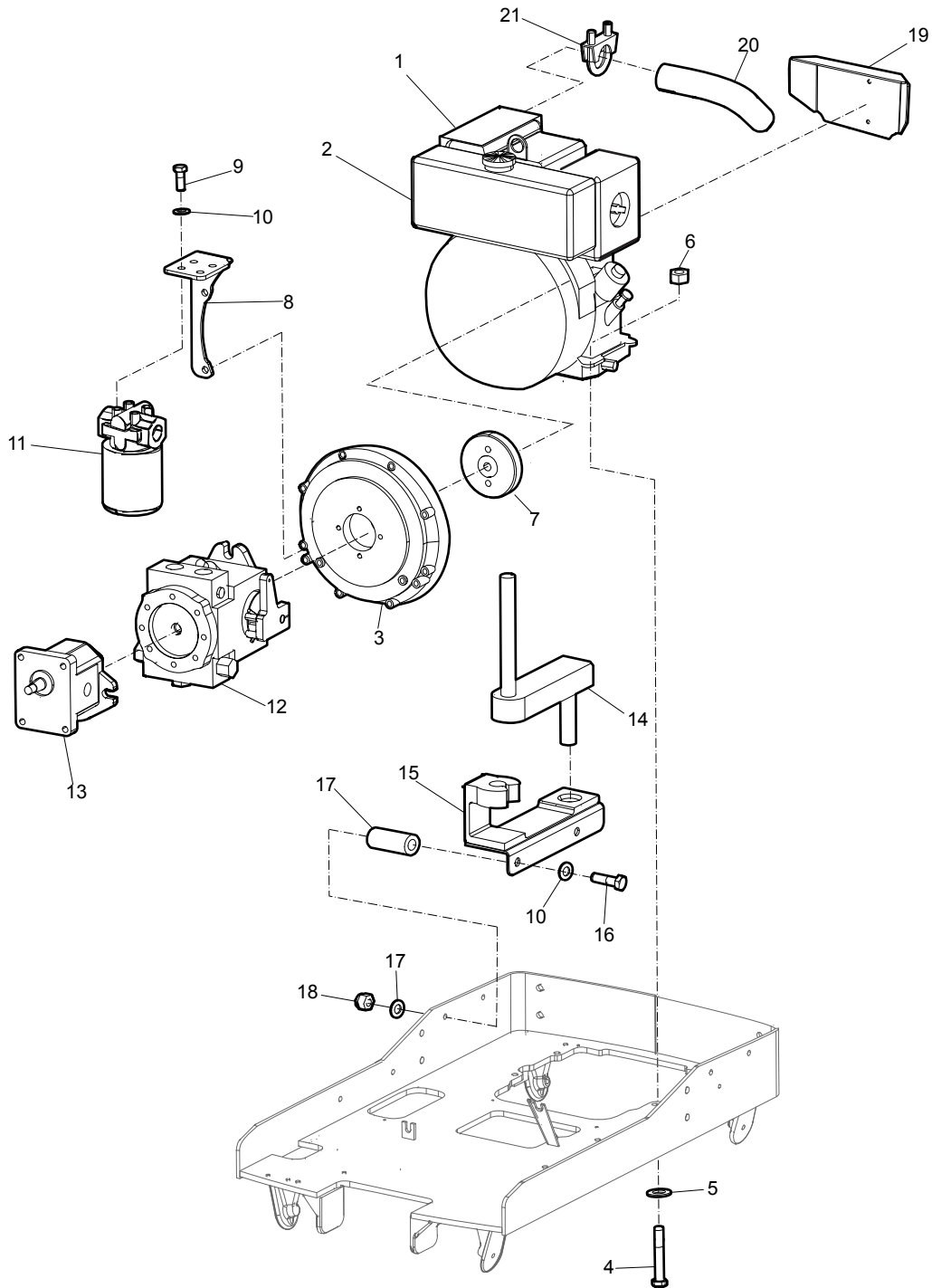
Eccentric element



| No. | Description | Remark | Quantity | Part number |
|----------------|------------------------------------|--|----------|--------------|
| 1 | Nut | Supplied with hydraulic pump | 1 | - |
| 2 | Washer | Supplied with hydraulic pump | 1 | - |
| 3 | Sleeve | | 4 | 4700 3849 02 |
| 4 | Screw | M12 x 60 mm 12.9 DACROMET® | 12 | 4700 7913 60 |
| 5(6-22) | Eccentric element, complete | | 1 | 4700 3822 95 |
| 6 | Eccentric housing | | 1 | 4700 3822 96 |
| 7 | Bearing cover | | 1 | 4700 3823 04 |
| 8 | Bearing cover | | 1 | 4700 3825 20 |
| 9 | Eccentric shaft | | 1 | 4700 3823 29 |
| 10 | Washer | 8.4 x 16 x 1.5 mm 0.33 x 0.63 x 0.06 in. 300 HV | 3 | - |
| 11 | Screw | M8 x 20 mm 8.8 | 3 | 4700 5000 53 |
| 12 | Seal ring | | 1 | 4700 1620 10 |
| 13 | Plug | | 1 | 4700 2322 46 |
| 14 | Washer | 16.7 x 24 x 1.5 mm 0.66 x 0.94 x 0.06 in. TYPE A, M16 | 1 | - |
| 15 | Plug | M16 x 1.5 mm | 1 | 4700 2321 43 |
| 16 | Bearing | | 2 | 4700 7912 40 |
| 17 | Washer | 10.5 x 22 x 2 mm 0.41 x 0.87 x 0.08 in. 300 HV | 5 | - |
| 18 | Screw | M10 x 30 mm 8.8 | 3 | - |
| 19 | O-ring | 84.5 x 3.0 mm 3.33 x 0.12 in. (70 shore) | 2 | 4700 1600 32 |
| 20 | Screw | M10 x 100 mm 8.8 | 2 | - |
| 21 | O-ring | 48.0 x 2.0 mm 1.89 x 0.08 in. (70 shore) | 1 | 4700 1603 28 |
| 22 | Coupling | | 1 | 4700 3825 21 |

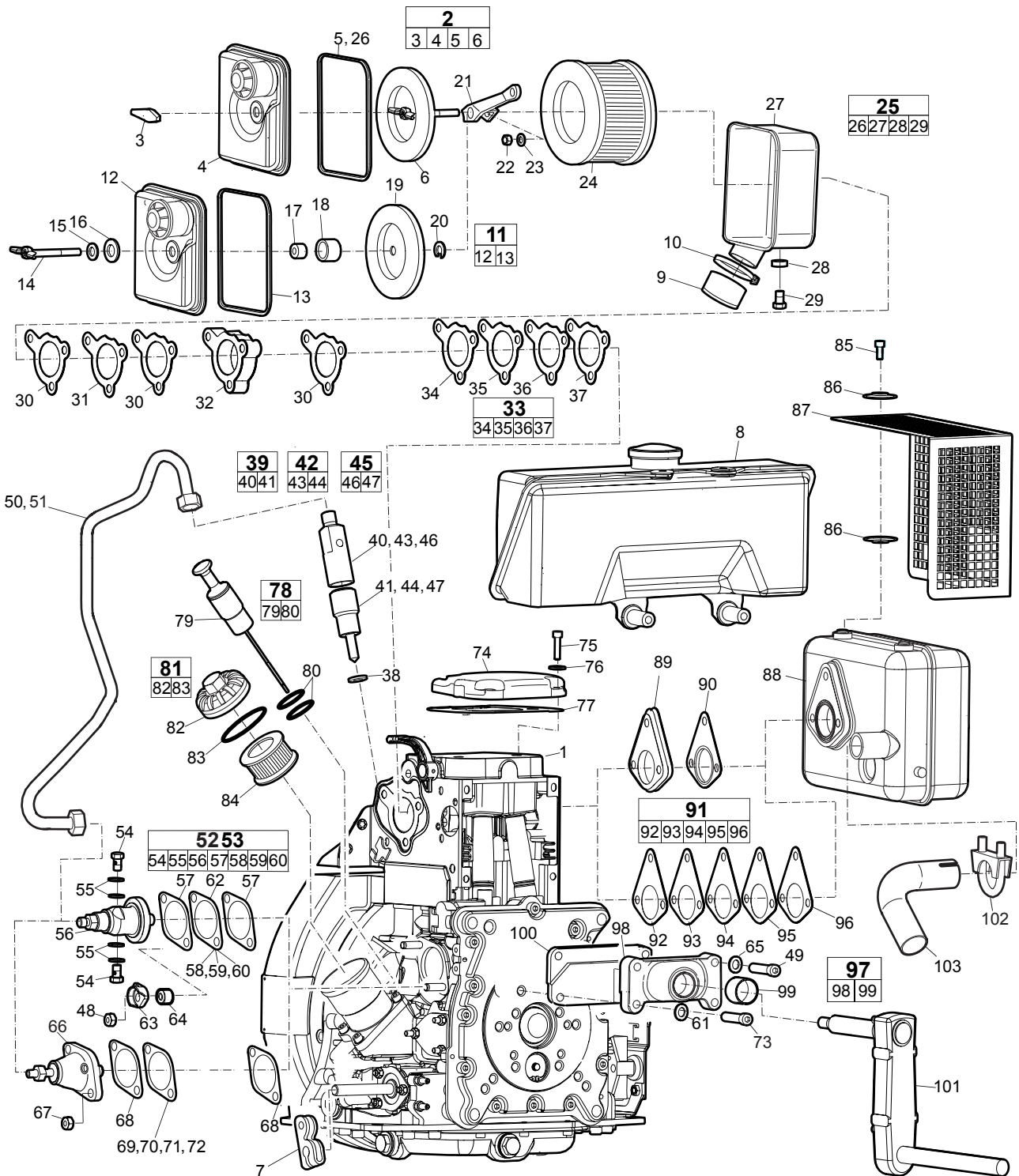
DACROMET is a registered trademark of Nof Metal Coatings North America Inc.

Engine installation



| No. | Description | Remark | Quantity | Part number |
|-----|----------------------|---|----------|--------------|
| 1 | Engine, complete | Manual started | 1 | 4700 3790 97 |
| 2 | Engine, complete | Electric started | 1 | 4700 3972 15 |
| 3 | Adapter | Supplied with engine | 1 | 4700 2399 23 |
| 4 | Screw | M12 x 35 mm 8.8 | 4 | - |
| 5 | Washer | 13 x 24 x 2 mm 0.51 x 0.98 x 0.08 in. 300 HV | 4 | - |
| 6 | Nut | M12 | 4 | - |
| 7 | Centrifugal clutch | | 1 | 4700 3861 85 |
| 8 | Bracket | | 1 | 4700 3855 18 |
| 9 | Screw | M10 x 22 mm 8.8 | 4 | - |
| 10 | Washer | 10.5 x 22 x 2 mm 0.41 x 0.87 x 0.08 in. 300 HV | 10 | - |
| 11 | Hydraulic oil filter | | 1 | 4700 3855 14 |
| 12 | Hydraulic pump | | 1 | 4700 3879 36 |
| 13 | Hydraulic pump | | 1 | 4700 3849 39 |
| 14 | Safety crank | | 1 | 4700 2394 39 |
| 15 | Crank holder | | 1 | 4700 3863 20 |
| 16 | Screw | M10 x 85 mm 8.8 | 2 | - |
| 17 | Spacer | | 2 | 4700 3778 27 |
| 18 | Nut | M10 | 2 | - |
| 19 | Protective plate | | 1 | 4700 3969 28 |
| 20 | Exhaust pipe | | 1 | 4700 3931 52 |
| 21 | Pipe clamp | | 1 | 4700 7921 20 |

Engine, Hatz 1D50S manual started

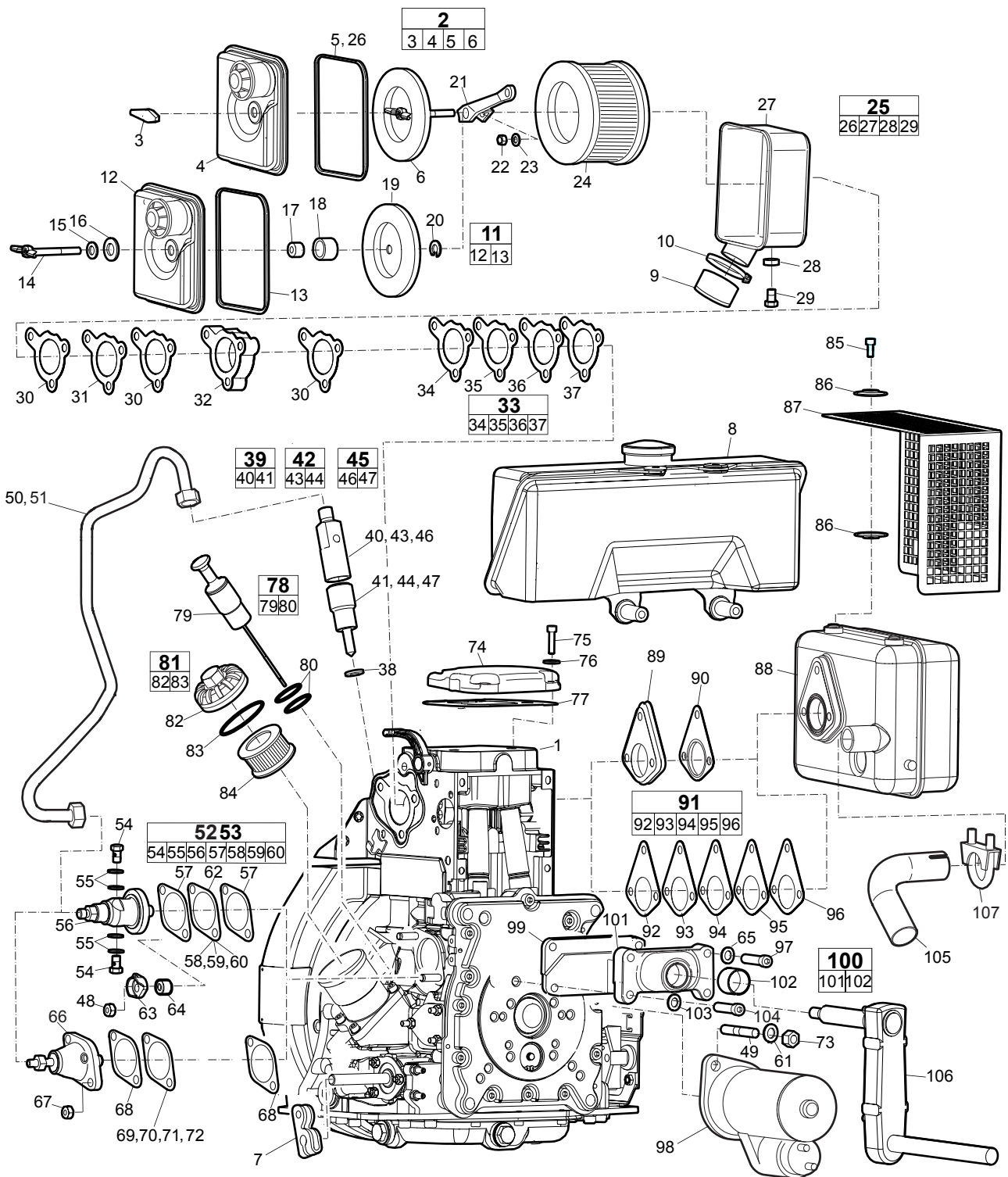


| No. | Description | Remark | Quantity | Part number |
|------------------|-------------------------------------|--|----------|--------------|
| 1 | Engine, complete | Hatz 1D50, manual started. Consist of item 2 to 101. | 1 | 4700 3790 97 |
| 2(3-6) | Air filter cover, complete | New version | 1 | 3382 1002 63 |
| 3 | Wing nut | | 1 | 4700 9370 17 |
| 4 | Cover | | 1 | - |
| 5 | Gasket | | 1 | 4700 2395 26 |
| 6 | Holder | | 1 | 3382 1002 54 |
| 7 | Throttle control lever | | 1 | 4700 2395 08 |
| 8 | Fuel tank | See section "Fuel tank". | 1 | - |
| 9 | End cap | | 1 | 4700 2398 85 |
| 10 | Hose clip | | 1 | 4700 2398 88 |
| 11(12-13) | Air filter cover, complete | Old version | 1 | 3382 1002 55 |
| 12 | Cover | | 1 | - |
| 13 | Gasket | | 1 | 4700 2395 26 |
| 14 | Wing screw | | 1 | 4700 2395 31 |
| 15 | Insulating disc | | 1 | 4700 2395 29 |
| 16 | Washer | 36 x 11 x 3 mm 1.42 x 0.43 x 0.12 in. | 1 | 4700 2395 30 |
| 17 | Sealing ring | | 1 | 4700 2395 25 |
| 18 | Bushing | | 1 | 4700 2395 24 |
| 19 | Holder | | 1 | 4700 2395 60 |
| 20 | Circlip | | 1 | 4700 2395 22 |
| 21 | Bracket | | 1 | 4700 2395 59 |
| 22 | Nut | M8 | 2 | - |
| 23 | Washer | M8 | 2 | - |
| 24 | Air filter | | 1 | 4700 2393 28 |
| 25(26-29) | Air filter housing, complete | | 1 | 4700 9369 08 |
| 26 | Gasket | | 1 | 4700 2395 26 |
| 27 | Housing | | 1 | - |
| 28 | Joint | | 1 | 4700 9369 07 |
| 29 | Drain screw | | 1 | 4700 2395 64 |
| 30 | Gasket | | 3 | 4700 9374 39 |
| 31 | Insulating flange | | 1 | 4700 9374 40 |
| 32 | Spacer | | 1 | 4700 9374 43 |
| 33(34-37) | Gasket, complete | | 1 | 4700 9374 42 |
| 34 | Gasket | | 1 | - |
| 35 | Gasket | | 1 | - |
| 36 | Gasket | | 1 | - |
| 37 | Gasket | | 1 | - |
| 38 | Gasket | | 1 | 4700 9398 30 |
| 39(40-41) | Injector, complete | Valid from engine serial number 109.19xxxxxxx | 1 | 3382 1002 57 |
| 40 | Injector part | | 1 | - |
| 41 | Nozzle | | 1 | 3382 1002 58 |
| 42(43-44) | Injector, complete | Valid from engine serial number 109.16xxxxxxx to 109.19xxxxxxx. | 1 | 4700 9459 27 |
| 43 | Injector part | | 1 | - |
| 44 | Nozzle | | 1 | 3382 1002 56 |
| 45(46-47) | Injector, complete | Valid from engine serial number 109.11xxxxxxx to 109.15xxxxxxx. | 1 | 4700 9391 49 |
| 46 | Injector part | | 1 | - |
| 47 | Nozzle | | 1 | 4700 9391 52 |
| 48 | Nut | M8 | 2 | - |
| 49 | Screw | M10 x 35 mm | 2 | - |

| No. | Description | Remark | Quantity | Part number |
|------------------|---------------------------------|--|----------|--------------|
| 50 | Fuel pipe | Valid from engine serial number 109.16xxxxxxx | 1 | 3382 1002 59 |
| 51 | Fuel pipe | Valid up to engine serial number 109.15xxxxxxx | 1 | 4700 9457 65 |
| 52 | Injection pump, complete | Valid from engine serial number 109.16xxxxxxx to 109.19xxxxxxx. Consist of item 54 to 60. | 1 | 4700 9457 03 |
| 53(54-60) | Injection pump, complete | Valid from engine serial number 109.20xxxxxxx | 1 | 3382 1002 60 |
| 54 | Banjo screw | | 2 | 3382 1002 41 |
| 55 | Gasket | | 4 | 3382 1002 42 |
| 56 | Pump part | | 1 | - |
| 57 | Shim | 0.10 mm 0.004 in. | 2 | 4700 9396 16 |
| 58 | Shim | 0.6 mm 0.024 in. | 1 | 4700 9397 78 |
| 59 | Shim | 0.9 mm 0.035 in. | 1 | 4700 9397 77 |
| 60 | Shim | 1.2 mm 0.047 in. | 1 | 4700 9397 76 |
| 61 | Washer | M8 | 2 | - |
| 62 | Shim | 0.3 mm 0.012 in. | 1 | 4700 9397 79 |
| 63 | Holder | | 2 | 4700 9502 57 |
| 64 | Spacer | | 2 | 4700 9502 63 |
| 65 | Washer | M10 | 2 | - |
| 66 | Injection pump, complete | Valid from engine serial number 109.11xxxxxxx to 109.15xxxxxxx. | 1 | 4700 9396 30 |
| 67 | Nut | M8 | 2 | - |
| 68 | Shim | 0.10 mm 0.004 in. | 2 | 4700 9396 16 |
| 69 | Shim | 0.3 mm 0.012 in. | 1 | 4700 9397 79 |
| 70 | Shim | 0.6 mm 0.024 in. | 1 | 4700 9397 78 |
| 71 | Shim | 0.9 mm 0.035 in. | 1 | 4700 9397 77 |
| 72 | Shim | 1.2 mm 0.047 in. | 1 | 4700 9397 76 |
| 73 | Screw | M8 x 35 mm | 2 | - |
| 74 | Valve cover | | 1 | 4700 9396 06 |
| 75 | Screw | M6 x 25 mm | 4 | - |
| 76 | Washer | M6 | 4 | - |
| 77 | Valve cover gasket | | 1 | 4700 2393 33 |
| 78(79-80) | Oil dipstick, complete | | 1 | 4700 2393 36 |
| 79 | Dipstick | | 1 | - |
| 80 | O-ring | | 2 | 3382 1002 36 |
| 81(82-83) | Filter cover, complete | | 1 | 4700 9356 08 |
| 82 | Cover | | 1 | - |
| 83 | Gasket | | 1 | 4700 2393 35 |
| 84 | Oil filter | | 1 | 4700 2393 26 |
| 85 | Screw | M6 x 12 mm | 5 | - |
| 86 | Washer | M6 | 5 | - |
| 87 | Cover | | 1 | 4700 9391 57 |
| 88 | Silencer | | 1 | 3382 1002 64 |
| 89 | Gasket | | 1 | 3382 1002 65 |
| 90 | Gasket | | 1 | 3382 1002 66 |

| No. | Description | Remark | Quantity | Part number |
|------------------|--------------------------------------|--------|----------|--------------|
| 91(92-96) | Gasket, complete | | 1 | 3382 1002 67 |
| 92 | Gasket | | 1 | - |
| 93 | Gasket | | 1 | - |
| 94 | Gasket | | 1 | - |
| 95 | Gasket | | 1 | - |
| 96 | Gasket | | 1 | - |
| 97(98-99) | Crank handle holder, complete | | 1 | 4700 2393 86 |
| 98 | Holder | | 1 | - |
| 99 | Bushing | | 1 | 3382 1002 46 |
| 100 | Guard | | 1 | 4700 9357 53 |
| 101 | Safety crank | | 1 | 4700 2394 39 |
| 102 | Pipe clamp | | 1 | 4700 7921 20 |
| 103 | Exhaust pipe | | 1 | 4700 3931 52 |

Engine, Hatz 1D50S electric started

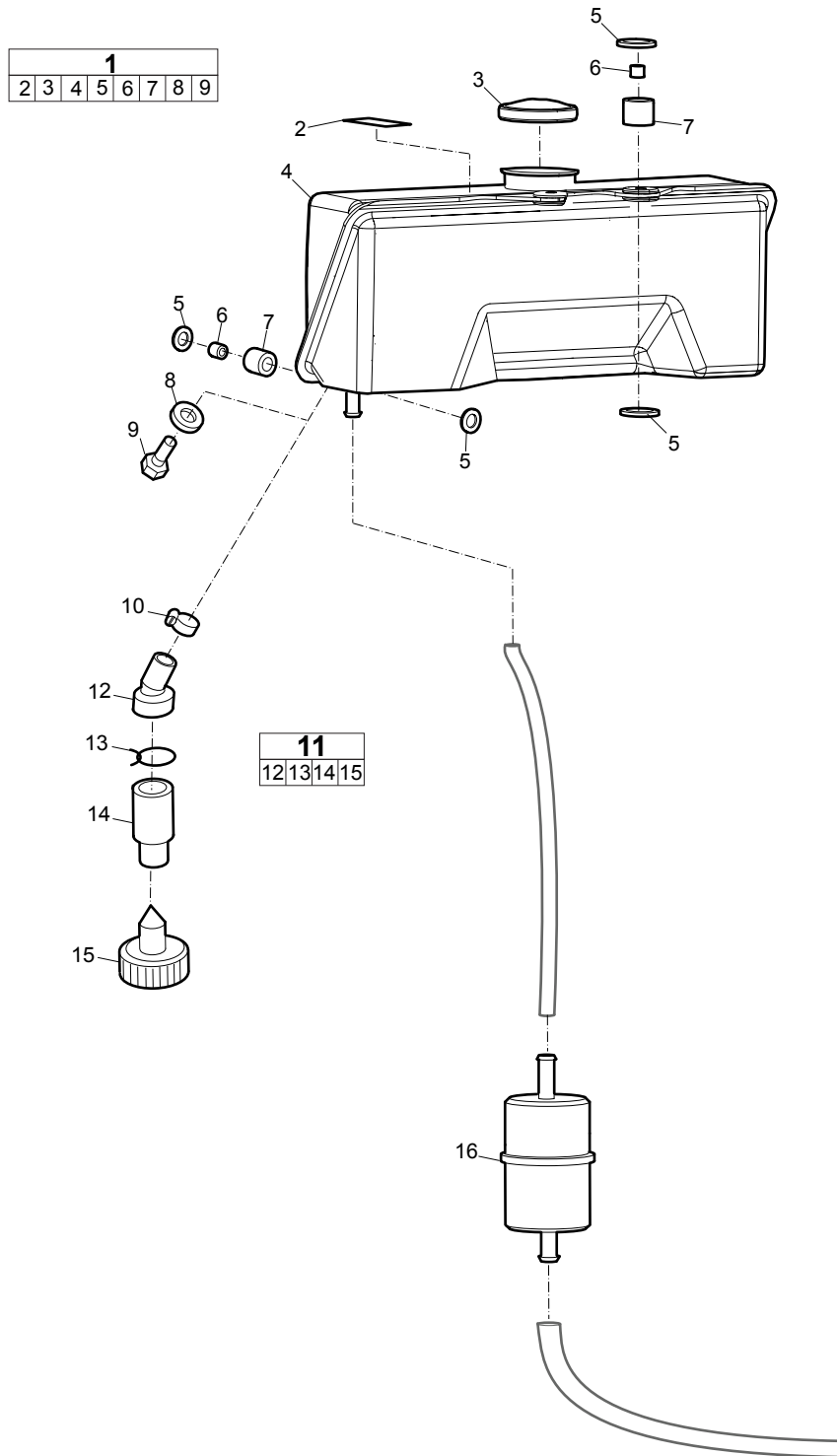


| No. | Description | Remark | Quantity | Part number |
|------------------|-------------------------------------|--|----------|--------------|
| 1 | Engine, complete | Hatz 1D50, electric started. Consist of item 2 to104. | 1 | 4700 3972 15 |
| 2(3-6) | Air filter cover, complete | New version | 1 | 3382 1002 63 |
| 3 | Wing nut | | 1 | 4700 9370 17 |
| 4 | Cover | | 1 | - |
| 5 | Gasket | | 1 | 4700 2395 26 |
| 6 | Holder | | 1 | 3382 1002 54 |
| 7 | Throttle control lever | | 1 | 4700 2395 08 |
| 8 | Fuel tank | See section "Fuel tank". | 1 | - |
| 9 | End cap | | 1 | 4700 2398 85 |
| 10 | Hose clip | | 1 | 4700 2398 88 |
| 11(12-13) | Air filter cover, complete | Old version | 1 | 3382 1002 55 |
| 12 | Cover | | 1 | - |
| 13 | Gasket | | 1 | 4700 2395 26 |
| 14 | Wing screw | | 1 | 4700 2395 31 |
| 15 | Insulating disc | | 1 | 4700 2395 29 |
| 16 | Washer | 36 x 11 x 3 mm 1.42 x 0.43 x 0.12 in. | 1 | 4700 2395 30 |
| 17 | Sealing ring | | 1 | 4700 2395 25 |
| 18 | Bushing | | 1 | 4700 2395 24 |
| 19 | Holder | | 1 | 4700 2395 60 |
| 20 | Circlip | | 1 | 4700 2395 22 |
| 21 | Bracket | | 1 | 4700 2395 59 |
| 22 | Nut | M8 | 2 | - |
| 23 | Washer | M8 | 2 | - |
| 24 | Air filter | | 1 | 4700 2393 28 |
| 25(26-29) | Air filter housing, complete | | 1 | 4700 9369 08 |
| 26 | Gasket | | 1 | 4700 2395 26 |
| 27 | Housing | | 1 | - |
| 28 | Joint | | 1 | 4700 9369 07 |
| 29 | Drain screw | | 1 | 4700 2395 64 |
| 30 | Gasket | | 3 | 4700 9374 39 |
| 31 | Insulating flange | | 1 | 4700 9374 40 |
| 32 | Spacer | | 1 | 4700 9374 43 |
| 33(34-37) | Gasket, complete | | 1 | 4700 9374 42 |
| 34 | Gasket | | 1 | - |
| 35 | Gasket | | 1 | - |
| 36 | Gasket | | 1 | - |
| 37 | Gasket | | 1 | - |
| 38 | Gasket | | 1 | 4700 9398 30 |
| 39(40-41) | Injector, complete | Valid from engine serial number 109.19xxxxxxx | 1 | 3382 1002 57 |
| 40 | Injector part | | 1 | - |
| 41 | Nozzle | | 1 | 3382 1002 58 |
| 42(43-44) | Injector, complete | Valid from engine serial number 109.16xxxxxxx to 109.19xxxxxxx. | 1 | 4700 9459 27 |
| 43 | Injector part | | 1 | - |
| 44 | Nozzle | | 1 | 3382 1002 56 |
| 45(46-47) | Injector, complete | Valid from engine serial number 109.11xxxxxxx to 109.15xxxxxxx. | 1 | 4700 9391 49 |
| 46 | Injector part | | 1 | - |
| 47 | Nozzle | | 1 | 4700 9391 52 |
| 48 | Nut | M8 | 2 | - |
| 49 | Stud | M12 x 50 mm | 2 | - |

| No. | Description | Remark | Quantity | Part number |
|------------------|---------------------------------|--|----------|--------------|
| 50 | Fuel pipe | Valid from engine serial number 109.16xxxxxxx | 1 | 3382 1002 59 |
| 51 | Fuel pipe | Valid up to engine serial number 109.15xxxxxxx | 1 | 4700 9457 65 |
| 52 | Injection pump, complete | Valid from engine serial number 109.16xxxxxxx to 109.19xxxxxxx. Consist of item 54 to 60. | 1 | 4700 9457 03 |
| 53(54-60) | Injection pump, complete | Valid from engine serial number 109.20xxxxxxx | 1 | 3382 1002 60 |
| 54 | Banjo screw | | 2 | 3382 1002 41 |
| 55 | Gasket | | 4 | 3382 1002 42 |
| 56 | Pump part | | 1 | - |
| 57 | Shim | 0.10 mm 0.004 in. | 2 | 4700 9396 16 |
| 58 | Shim | 0.6 mm 0.024 in. | 1 | 4700 9397 78 |
| 59 | Shim | 0.9 mm 0.035 in. | 1 | 4700 9397 77 |
| 60 | Shim | 1.2 mm 0.047 in. | 1 | 4700 9397 76 |
| 61 | Washer | M12 | 2 | - |
| 62 | Shim | 0.3 mm 0.012 in. | 1 | 4700 9397 79 |
| 63 | Holder | | 2 | 4700 9502 57 |
| 64 | Spacer | | 2 | 4700 9502 63 |
| 65 | Washer | M10 | 2 | - |
| 66 | Injection pump | Valid from engine serial number 109.11xxxxxxx to 109.15xxxxxxx. | 1 | 4700 9396 30 |
| 67 | Nut | M8 | 2 | - |
| 68 | Shim | 0.10 mm 0.004 in. | 2 | 4700 9396 16 |
| 69 | Shim | 0.3 mm 0.012 in. | 1 | 4700 9397 79 |
| 70 | Shim | 0.6 mm 0.024 in. | 1 | 4700 9397 78 |
| 71 | Shim | 0.9 mm 0.035 in. | 1 | 4700 9397 77 |
| 72 | Shim | 1.2 mm 0.047 in. | 1 | 4700 9397 76 |
| 73 | Nut | M12 | 2 | - |
| 74 | Valve cover | | 1 | 4700 9396 06 |
| 75 | Screw | M6 x 25 mm | 4 | - |
| 76 | Washer | M6 | 4 | - |
| 77 | Valve cover gasket | | 1 | 4700 2393 33 |
| 78(79-80) | Oil dipstick, complete | | 1 | 4700 2393 36 |
| 79 | Dipstick | | 1 | - |
| 80 | O-ring | | 2 | 3382 1002 36 |
| 81(82-83) | Filter cover, complete | | 1 | 4700 9356 08 |
| 82 | Cover | | 1 | - |
| 83 | Gasket | | 1 | 4700 2393 35 |
| 84 | Oil filter | | 1 | 4700 2393 26 |
| 85 | Screw | M6 x 12 mm | 5 | - |
| 86 | Washer | M6 | 5 | - |
| 87 | Cover | | 1 | 4700 9391 57 |
| 88 | Silencer | | 1 | 3382 1002 64 |
| 89 | Gasket | | 1 | 3382 1002 65 |
| 90 | Gasket | | 1 | 3382 1002 66 |

| No. | Description | Remark | Quantity | Part number |
|---------------------|--------------------------------------|-------------|----------|--------------|
| 91(92-96) | Gasket, complete | | 1 | 3382 1002 67 |
| 92 | Gasket | | 1 | - |
| 93 | Gasket | | 1 | - |
| 94 | Gasket | | 1 | - |
| 95 | Gasket | | 1 | - |
| 96 | Gasket | | 1 | - |
| 97 | Screw | M10 x 35 mm | 2 | - |
| 98 | Starter | | 1 | 4700 9391 53 |
| 99 | Guard | | 1 | 4700 9357 53 |
| 100(101-102) | Crank handle holder, complete | | 1 | 4700 2393 86 |
| 101 | Holder | | 1 | - |
| 102 | Bushing | | 1 | 3382 1002 46 |
| 103 | Washer | M8 | 2 | - |
| 104 | Screw | M8 x 35 mm | 2 | - |
| 105 | Exhaust pipe | | 1 | 4700 3931 52 |
| 106 | Safety crank | | 1 | 4700 2394 39 |
| 107 | Pipe clamp | | 1 | 4700 7921 20 |

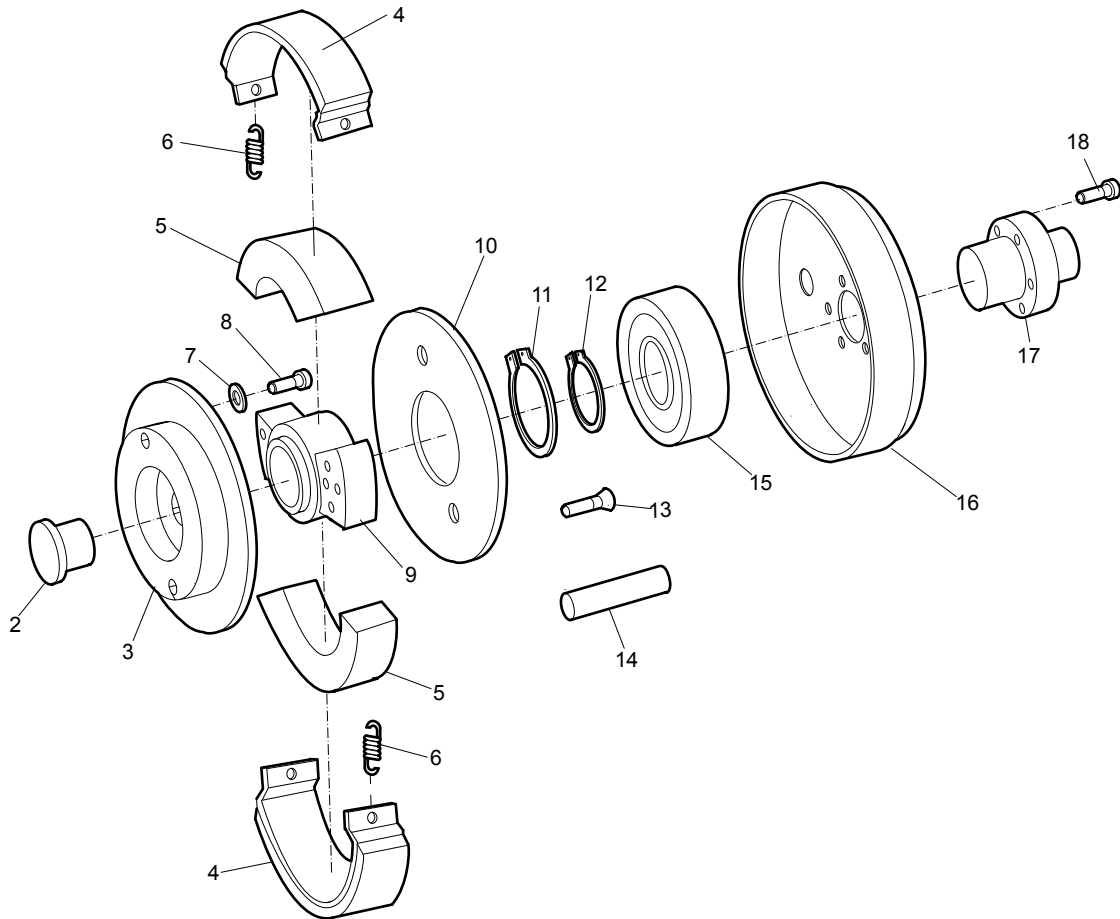
Fuel tank Hatz 1D50



| No. | Description | Remark | Quantity | Part number |
|------------------|----------------------------------|--------|----------|--------------|
| 1(2-9) | Fuel tank, complete | | 1 | 4700 2393 39 |
| 2 | Label | | 1 | - |
| 3 | Fuel cap | | 1 | 4700 9238 64 |
| 4 | Fuel tank | | 1 | - |
| 5 | Rubber washer | | 8 | 4700 9374 22 |
| 6 | Bushing | | 4 | 4700 9374 23 |
| 7 | Rubber shell | | 4 | 4700 9374 24 |
| 8 | Joint | | 1 | 4700 2383 62 |
| 9 | Drain screw | | 1 | 4700 9374 35 |
| 10 | Clamp | | 1 | 3382 1001 57 |
| 11(12-15) | Water separator, complete | | 1 | 4700 9383 39 |
| 12 | Hose | | 1 | - |
| 13 | Hose clip | | 1 | - |
| 14 | Water separator | | 1 | - |
| 15 | Drain screw | | 1 | - |
| 16 | Fuel filter | | 1 | 4700 9374 30 |

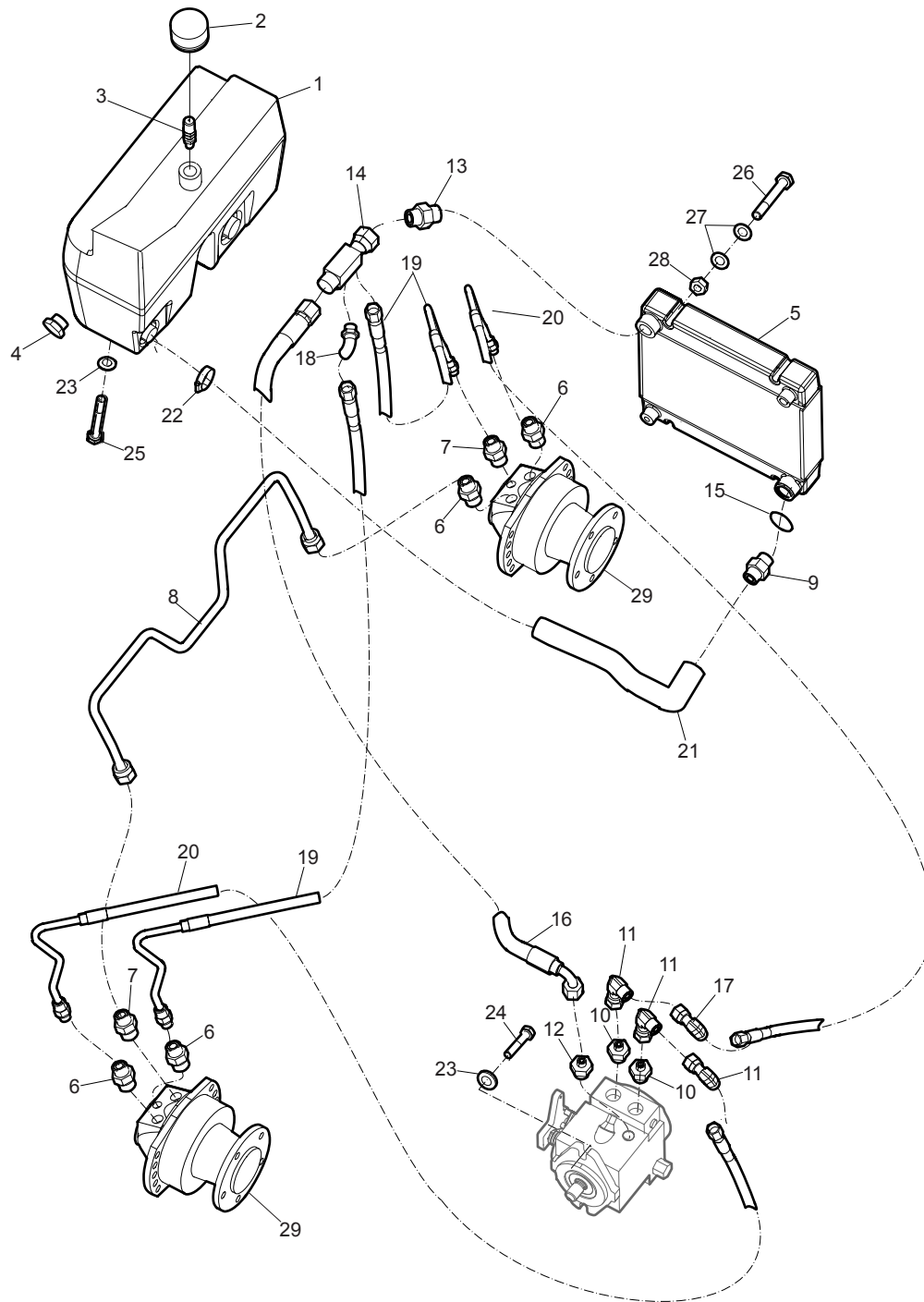
Centrifugal clutch

| | | | | | | | | | | | | | | | | | |
|----------|---|---|---|---|---|---|---|----|----|----|----|----|----|----|----|----|--|
| 1 | | | | | | | | | | | | | | | | | |
| 2 | 3 | 4 | 5 | 6 | 7 | 8 | 9 | 10 | 11 | 12 | 13 | 14 | 15 | 16 | 17 | 18 | |



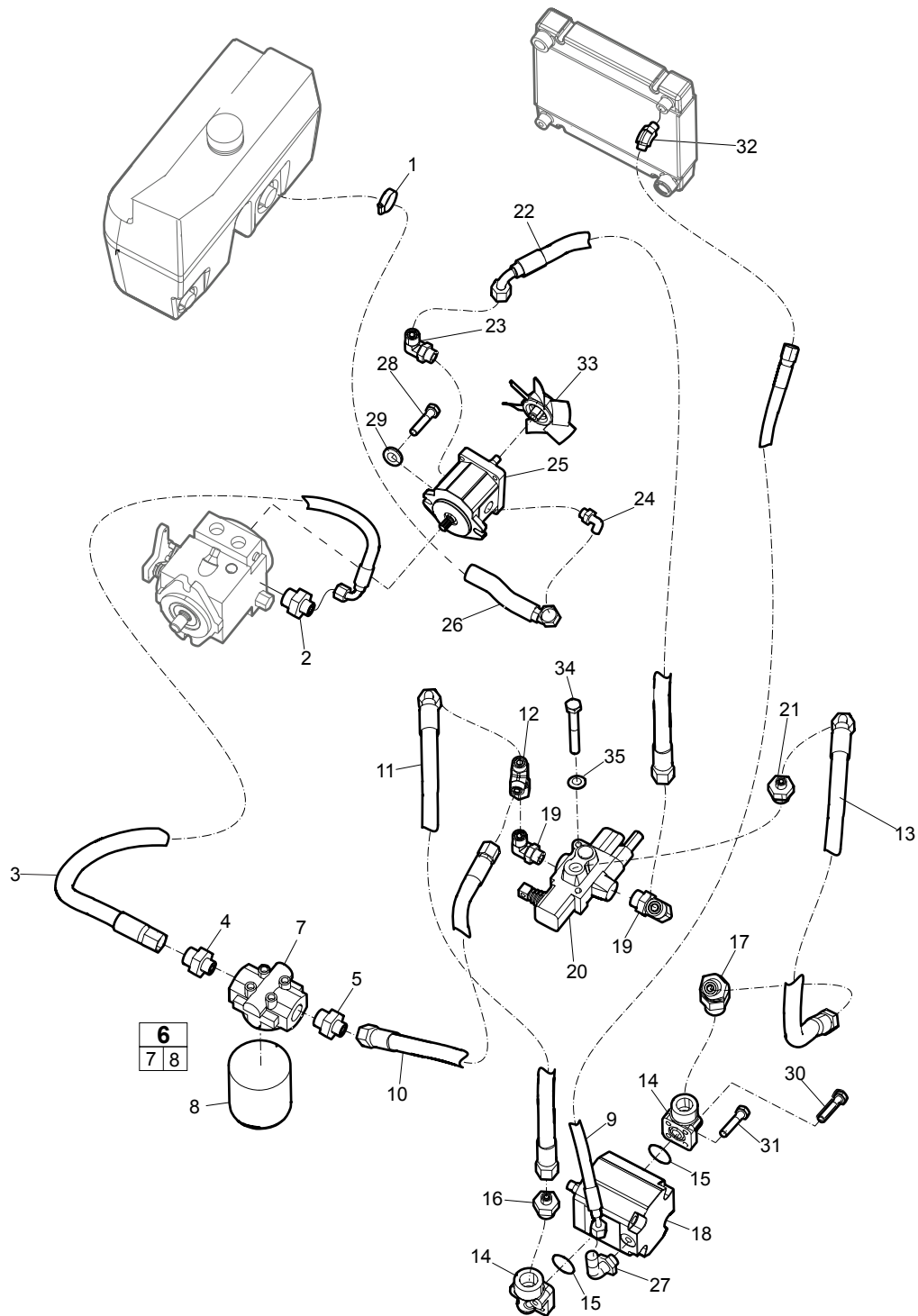
| No. | Description | Remark | Quantity | Part number |
|---------|------------------------------|--------|----------|--------------|
| 1(2-18) | Centrifugal clutch, complete | | 1 | 4700 3861 85 |
| 2 | Plug | | 1 | 4700 9391 15 |
| 3 | Flange | | 1 | 4700 9391 16 |
| 4 | Lining | | 2 | 4700 2399 32 |
| 5 | Weight | | 2 | 4700 9391 12 |
| 6 | Spring | | 2 | 4700 4212 46 |
| 7 | Lock washer | | 2 | 4700 2399 34 |
| 8 | Screw | | 2 | 4700 9391 17 |
| 9 | Hub | | 1 | 4700 9387 52 |
| 10 | Cover | | 1 | 4700 9365 86 |
| 11 | Retainer ring | | 1 | 4700 9370 35 |
| 12 | Retainer ring | | 1 | 4700 9370 36 |
| 13 | Screw | | 4 | 4700 9370 39 |
| 14 | Pin | | 4 | 4700 2399 33 |
| 15 | Bearing | | 1 | 4700 9370 34 |
| 16 | Clutch housing | | 1 | 4700 9377 04 |
| 17 | Flange | | 1 | 4700 9391 09 |
| 18 | Screw | | 6 | 4700 9361 10 |

Hydraulic system, drum motors and propulsion motor



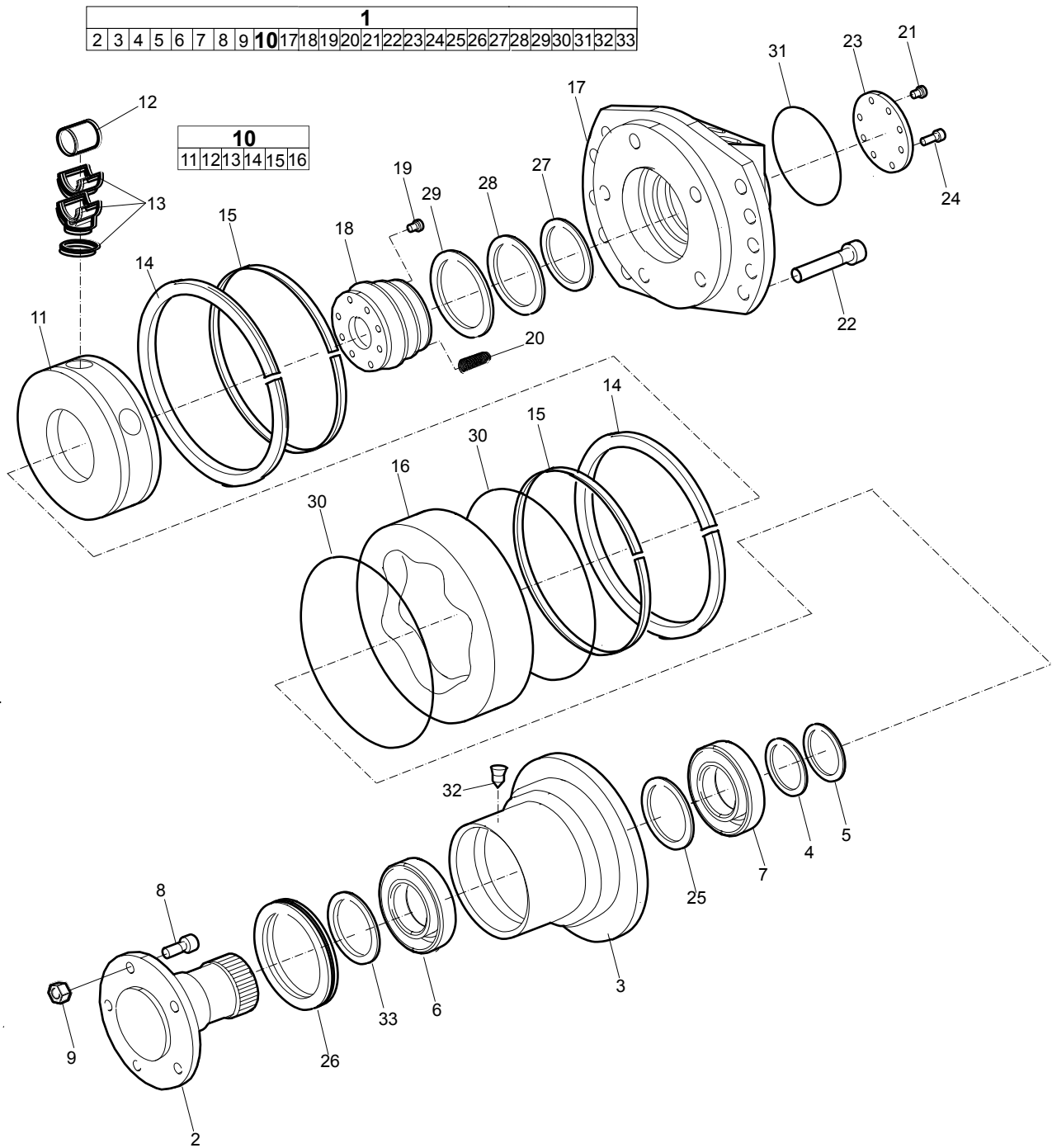
| No. | Description | Remark | Quantity | Part number |
|-----|---------------------------|--|----------|--------------|
| 1 | Hydraulic oil tank | | 1 | 4700 3953 74 |
| 2 | Ventilating filter | | 1 | 4700 3571 38 |
| 3 | Splash guard | | 1 | 4700 3862 79 |
| 4 | Sight plug | | 1 | 4700 4991 27 |
| 5 | Hydraulic oil cooler | | 1 | 4700 3943 62 |
| 6 | Straight O-ring connector | 7/8 in. and 13/16 in. - 16 UNF | 4 | 4700 7914 10 |
| 7 | Straight connector | 9/16 in. - 18 UNF and 11/16 in. - 16 UNF | 2 | 4700 7914 09 |
| 8 | Hydraulic pipe | | 1 | 4700 3863 58 |
| 9 | Hose fitting | | 1 | 4700 7914 19 |
| 10 | Straight O-ring connector | M27 x 2.0 mm and 11/16 in. - 16 UNF | 2 | 4700 7914 11 |
| 11 | Elbow | 90° | 3 | 4700 7914 01 |
| 12 | Straight connector | M18 x 1.5 mm and 13/16 in. - 16 UNF | 1 | 4700 7914 12 |
| 13 | Straight connector | G1/2 in. and 13/16 in. - 16 UNF | 1 | 4700 7914 07 |
| 14 | Adapter | | 1 | 4700 3866 66 |
| 15 | Washer sealing | G 1/2 in. | 1 | 4700 7914 18 |
| 16 | Hydraulic hose | 495 mm 19.5 in. | 1 | 4700 4835 96 |
| 17 | Elbow | | 1 | 4700 7914 02 |
| 18 | Elbow | 45° | 1 | 4700 7914 03 |
| 19 | Hydraulic hose | | 2 | 4700 3863 60 |
| 20 | Hydraulic hose | | 2 | 4700 3863 59 |
| 21 | Hydraulic hose | | 1 | 4700 7913 87 |
| 22 | Hose clamp | | 2 | 4700 3130 06 |
| 23 | Washer | 10.5 x 22 x 2 mm 0.41 x 0.87 x 0.08 in. 300 HV | 6 | - |
| 24 | Screw | M10 x 30 mm 8.8 | 2 | - |
| 25 | Screw | M10 x 22 mm 8.8 | 4 | - |
| 26 | Screw | M8 x 60 mm 8.8 | 4 | - |
| 27 | Washer | 8.4 x 16 x 1.5 mm 0.33 x 0.63 x 0.06 in. 300 HV | 4 | - |
| 28 | Nut | M8 A2K | 2 | - |
| 29 | Drum motor | See section "Drum motor" | 2 | - |

Hydraulic system, vibration motor and pump



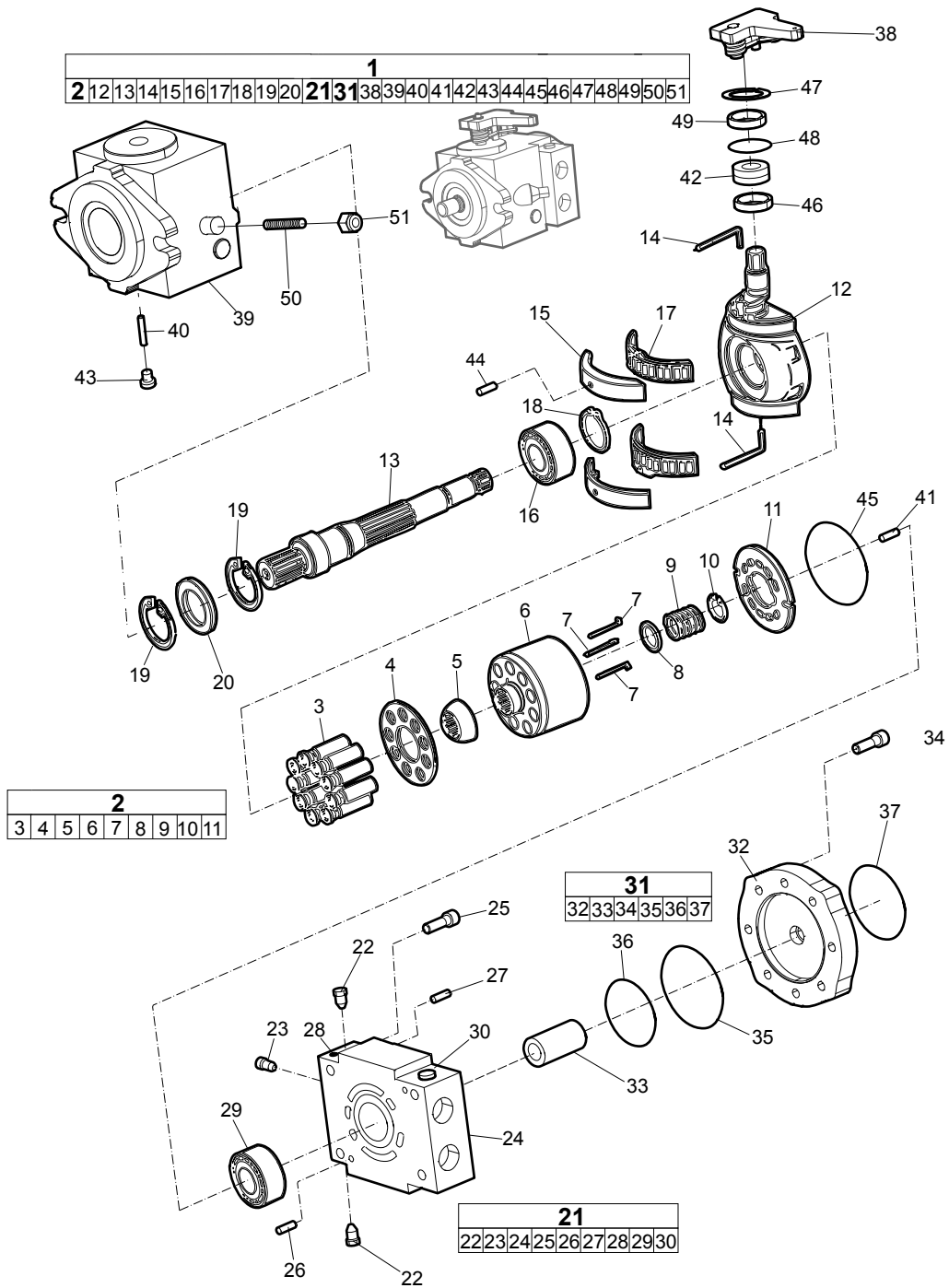
| No. | Description | Remark | Quantity | Part number |
|---------------|---------------------------------------|--|----------|--------------|
| 1 | Hose clamp | | 1 | 4700 3130 07 |
| 2 | Straight connector | | 1 | 4700 7914 13 |
| 3 | Hydraulic hose | | 1 | 4700 4835 95 |
| 4 | Straight connector | G $\frac{3}{4}$ in. and $\frac{1}{4}$ in. - 16 UNF | 1 | 4700 7914 08 |
| 5 | Straight connector | G $\frac{3}{4}$ in. and $\frac{1}{4}$ in. - 16 UNF | 1 | 4700 7914 06 |
| 6(7-8) | Hydraulic oil filter, complete | | 1 | 4700 3855 14 |
| 7 | Housing | | 1 | 4700 3855 16 |
| 8 | Filter | | 1 | 4700 3855 17 |
| 9 | Hydraulic hose | 470 mm 18.50 in. | 1 | 4700 4836 04 |
| 10 | Hydraulic hose | 270 mm 10.63 in. | 1 | 4700 4835 94 |
| 11 | Hydraulic hose | 405 mm 15.94 in. | 1 | 4700 4835 93 |
| 12 | T-connection | | 1 | 4700 7914 14 |
| 13 | Hydraulic hose | 360 mm 14.17 in. | 1 | 4700 4835 92 |
| 14 | Flange fitting | | 2 | 4700 7914 17 |
| 15 | O-ring | 17.96 x 2.62 mm 0.70 x 0.10 in. (70 shore) | 2 | 4700 1601 55 |
| 16 | Straight connector | G $\frac{1}{2}$ in. and $\frac{1}{4}$ in. - 16 UNF | 1 | 4700 7914 05 |
| 17 | Elbow | 45° | 1 | 4700 7914 16 |
| 18 | Hydraulic motor | | 1 | 4700 3849 40 |
| 19 | Elbow | 90° | 2 | 4700 7913 98 |
| 20 | Vibration valve | | 1 | 4700 3785 79 |
| 21 | Straight connector | G $\frac{3}{8}$ in. and $\frac{1}{4}$ in. - 16 UNF | 1 | 4700 7914 04 |
| 22 | Hydraulic hose | 580 mm 22.83 in. | 1 | 4700 4835 91 |
| 23 | Elbow | 90° | 1 | 4700 7913 99 |
| 24 | Elbow | 90° | 1 | 4700 7914 00 |
| 25 | Hydraulic pump | | 1 | 4700 3849 39 |
| 26 | Hydraulic hose | | 1 | 4700 3866 67 |
| 27 | Elbow | 90° | 1 | 4700 7913 97 |
| 28 | Screw | M12 x 35 mm 8.8 A3K | 2 | - |
| 29 | Washer | 13 x 24 x 6 mm 0.51 x 0.95 x 0.16 in. 300 HV | 2 | - |
| 30 | Screw | M6 x 35 mm 8.8 A2K | 4 | - |
| 31 | Screw | M6 x 20 mm 8.8 A2K | 4 | - |
| 33 | Fan | | 1 | 4700 3823 15 |
| 34 | Screw | M8 x 60 mm 8.8 A2K | 2 | - |
| 35 | Washer | 8.4 x 16 x 1.5 mm 0.33 x 0.63 x 0.06 in. 300 HV | 2 | - |

Drum motor



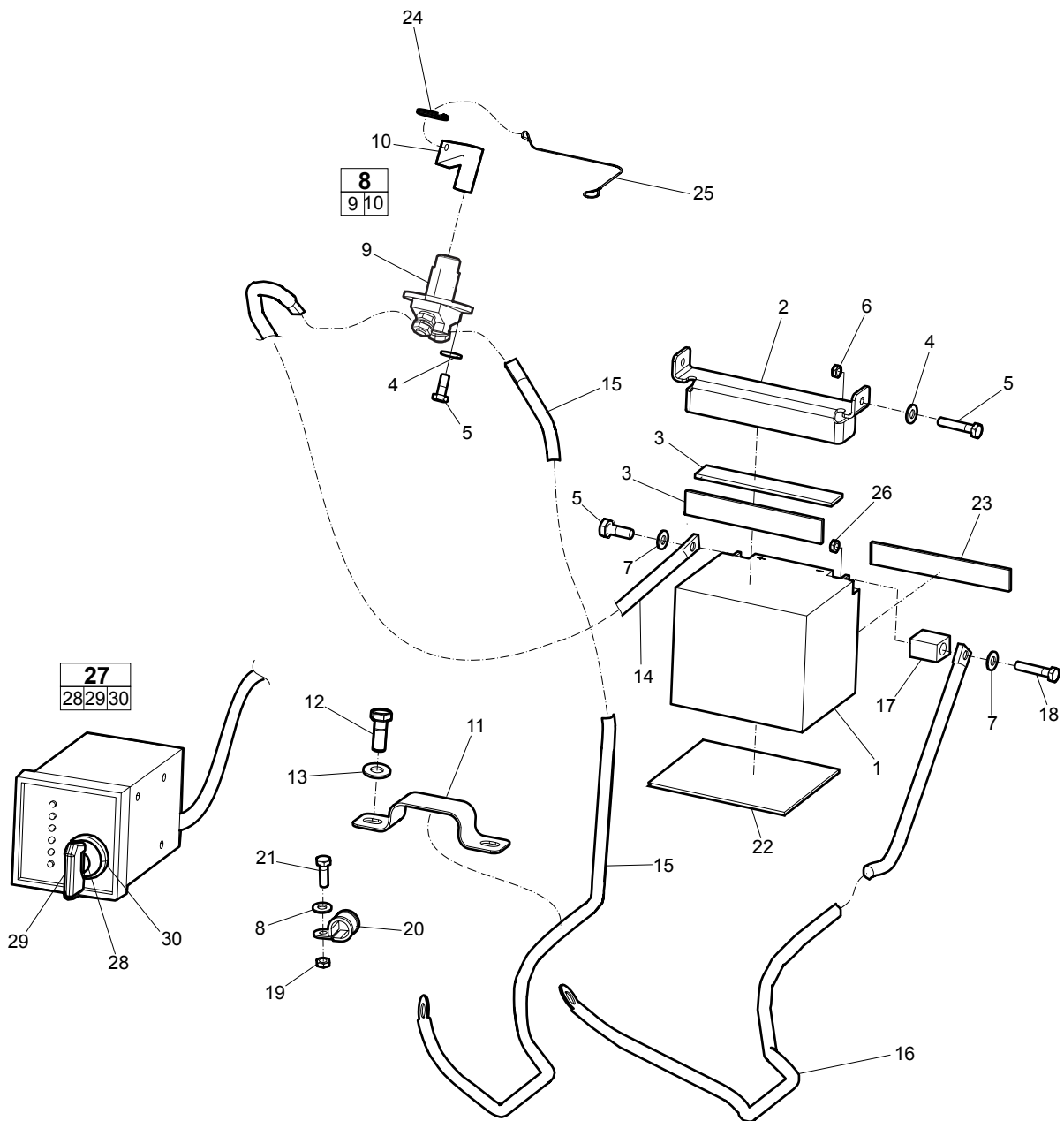
| No. | Description | Remark | Quantity | Part number |
|------------------------|---------------------------------|----------------------------------|----------|--------------|
| 1(2-9,10,17-33) | Drum motor, complete | | 1 | 4700 3869 80 |
| 2 | Shaft | | 1 | 4700 9392 15 |
| 3 | Housing | | 1 | 4700 9392 16 |
| 4 | Shim | Use shim kit 4700939378. | 1 | - |
| 5 | Split ring | | 1 | 4700 9023 88 |
| 6 | Bearing | | 1 | 4700 9392 17 |
| 7 | Bearing | | 1 | 4700 9023 90 |
| 8 | Drum stud | | 5 | 4700 9023 91 |
| 9 | Drum nut | | 5 | 4700 9023 92 |
| 10(11-16) | Rotating group, complete | | 1 | 4700 9391 18 |
| 11 | Cylinder block | | 1 | - |
| 12 | Roller | | 8 | 4700 9034 53 |
| 13 | Piston | | 8 | - |
| 14 | Circlip | | 2 | 4700 9378 77 |
| 15 | Retainer ring | | 2 | 4700 9370 92 |
| 16 | Piston cam | | 1 | - |
| 17 | Housing | | 1 | - |
| 18 | Distributor ring | | 1 | 4700 9370 94 |
| 19 | Pin | | 1 | 4700 9023 97 |
| 20 | Spring | | 9 | 4700 9023 98 |
| 21 | Plug | | 1 | 4700 9023 99 |
| 22 | Screw | | 6 | 4700 9027 99 |
| 23 | End cover | | 1 | 4700 9391 19 |
| 24 | Screw | | 8 | 4700 9391 20 |
| 25 | Shaft sealing | Included in seal kit 4700939121. | 1 | - |
| 26 | Shaft sealing | Included in seal kit 4700939121. | 1 | - |
| 27 | Sealing | Included in seal kit 4700939121. | 1 | - |
| 28 | Sealing | Included in seal kit 4700939121. | 1 | - |
| 29 | Sealing | Included in seal kit 4700939121. | 1 | - |
| 30 | O-ring | Included in seal kit 4700939121. | 2 | - |
| 31 | O-ring | Included in seal kit 4700939121. | 1 | - |
| 32 | Plug | | 1 | 4700 9392 19 |
| 33 | Spacer | | 1 | 4700 9392 18 |

Hydraulic pump, propulsion



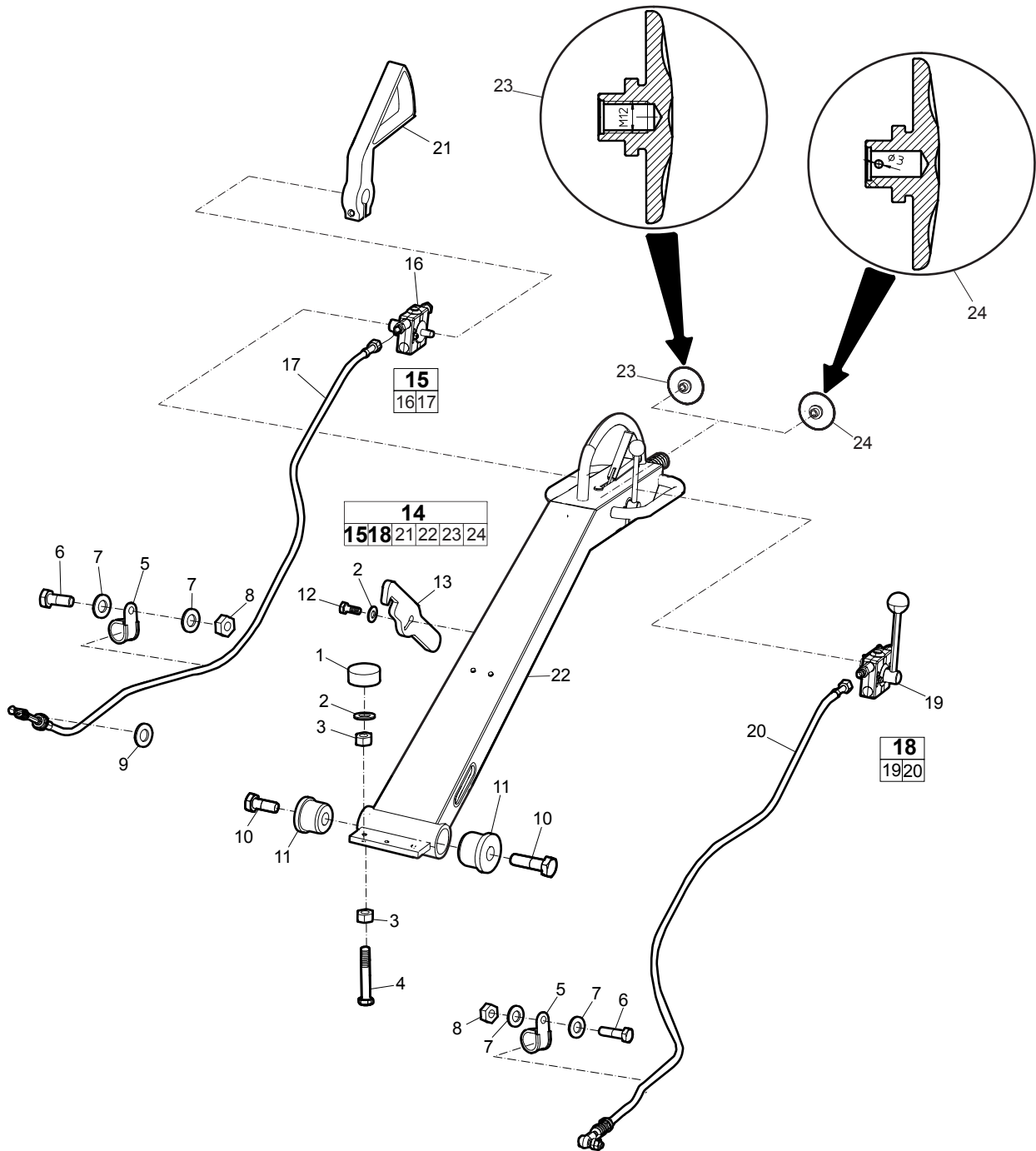
| No. | Description | Remark | Quantity | Part number |
|-------------------------------|-------------------------------------|--------|----------|--------------|
| 1(2,12-20,21,31,38-51) | Hydraulic pump, complete | | 1 | 4700 3879 36 |
| 2(3-11) | Rotary group, complete | | 1 | 4700 9392 02 |
| 3 | Piston group | | 1 | - |
| 4 | Piston holder | | 1 | - |
| 5 | Bushing | | 1 | - |
| 6 | Housing | | 1 | - |
| 7 | Pin | | 3 | - |
| 8 | Lock Washer | | 1 | - |
| 9 | Spring | | 1 | - |
| 10 | Lock Washer | | 1 | - |
| 11 | Flange | | 1 | - |
| 12 | Cradle | | 1 | 4700 9392 01 |
| 13 | Shaft | | 1 | 4700 9392 03 |
| 14 | Wire | | 2 | 4700 9293 04 |
| 15 | Bearing | | 2 | 4700 9392 05 |
| 16 | Plain roller bearing | | 1 | 4700 9392 06 |
| 17 | Cradle bearing | | 2 | 4700 9392 07 |
| 18 | Retainer ring | | 1 | 4700 9392 08 |
| 19 | Retainer ring | | 2 | 4700 9392 09 |
| 20 | Seal ring | | 1 | 4700 9392 10 |
| 21(22-30) | Port plate, complete | | 1 | 4700 9391 78 |
| 22 | Pressure relief valve | | 2 | 4700 9391 79 |
| 23 | Pressure relief valve | | 1 | 4700 9392 11 |
| 24 | Port plate | | 1 | - |
| 25 | Plug | | 4 | 4700 9392 12 |
| 26 | Cylindric pin | | 2 | 4700 9379 87 |
| 27 | Double break-off pin | | 1 | 4700 9363 07 |
| 28 | Locking screw | | 1 | 4700 9363 70 |
| 29 | Locking screw | | 1 | 4700 9363 70 |
| 30 | Screw | | 2 | 4700 9026 25 |
| 31(32-37) | Pump support plate, complete | | 1 | 4700 9391 72 |
| 32 | Flange | | 1 | 4700 9391 75 |
| 33 | Coupling | | 1 | 4700 9391 74 |
| 34 | Screw | | 4 | 4700 9026 25 |
| 35 | O-ring | | 1 | 4700 9391 76 |
| 36 | O-ring | | 1 | 4700 9391 77 |
| 37 | O-ring | | 1 | 4700 9364 05 |
| 38 | Control arm | | 1 | 4700 9391 70 |
| 39 | Housing | | 1 | 4700 9391 71 |
| 40 | Pin | | 2 | 4700 9351 58 |
| 41 | Pin | | 1 | 4700 9392 14 |
| 42 | Seal ring | | 1 | 4700 9391 65 |
| 43 | Locking screw | | 1 | 4700 9363 09 |
| 44 | Pin | | 2 | 4700 9391 69 |
| 45 | O-ring | | 1 | 4700 9391 68 |
| 46 | Shaft seal ring | | 1 | 4700 9391 64 |
| 47 | Retainer ring | | 1 | 4700 9391 67 |
| 48 | O-ring | | 1 | 4700 9391 66 |
| 49 | Wiper | | 1 | 4700 9391 63 |
| 50 | Threaded pin | | 2 | 4700 9391 62 |
| 51 | Seal lock nut | | 2 | 4700 9363 93 |

Electrical equipment



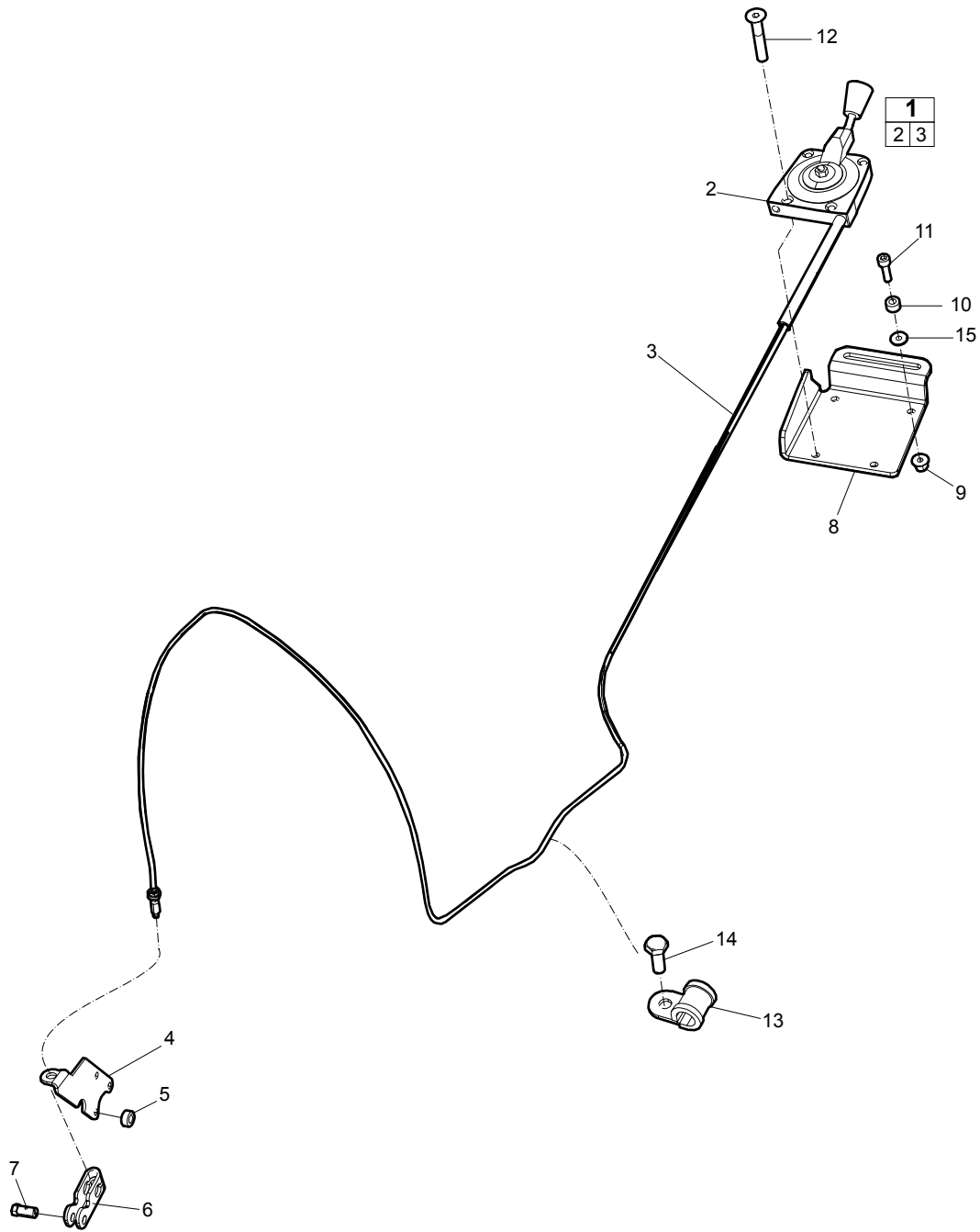
| No. | Description | Remark | Quantity | Part number |
|------------------|---------------------------------|--|----------|--------------|
| 1 | Battery | 12V 44Ah | 1 | 4700 3911 37 |
| 2 | Battery holder | | 1 | 4700 3857 23 |
| 3 | Rubber cloth | | 2 | 4700 3859 41 |
| 4 | Washer | 8.4 x 16 x 1.5 mm 0.33 x 0.63 x 0.06 in. 300 HV | 4 | - |
| 5 | Screw | M8 x 20 mm 8.8 A2K | 5 | - |
| 6 | Nut | M8 A2K | 2 | - |
| 7 | Washer | 6.4 x 12 x 1.5 mm 0.25 x 0.47 x 0.06 in. 300 HV | 3 | - |
| 8(9-10) | Battery switch, complete | | 1 | 4700 3575 67 |
| 9 | Switch | | 1 | - |
| 10 | Knob | | 1 | 4700 9025 60 |
| 11 | Clamp | | 2 | 4700 3842 00 |
| 12 | Screw | M5 x 12 mm 8.8 A2K | 4 | - |
| 13 | Washer | 5.3 x 10 x 1 mm 0.21 x 0.39 x 0.04 in. 300 HV | 4 | - |
| 14 | Connection cable | Connected to positive terminal of battery | 1 | 4700 7910 63 |
| 15 | Connection cable | | 1 | 4700 7910 64 |
| 16 | Connection cable | Connected to negative terminal of battery | 1 | 4700 7910 65 |
| 17 | Spacer | | 1 | 4700 3911 38 |
| 18 | Screw | M6 x 50 mm 8.8 A2K | 1 | - |
| 19 | Nut | M6 A2K | 1 | - |
| 20 | Clamp | | 1 | 4700 9210 31 |
| 21 | Screw | M6 x 16 mm 8.8 A2K | 2 | - |
| 22 | Rubber cloth | | 1 | 4700 3859 43 |
| 23 | Rubber cloth | | 1 | 4700 3859 44 |
| 24 | Key-ring | | 1 | 4700 3582 54 |
| 25 | Wire | | 1 | 4700 3843 62 |
| 26 | Nut | M6 | 2 | - |
| 27(28-30) | Control box, complete | | 1 | 4700 3780 72 |
| 28 | Ignition switch | | 1 | 4700 9381 46 |
| 29 | Ignition key | | 1 | 4700 9380 86 |
| 30 | Dirt shield | | 1 | 4700 3790 28 |

Handle



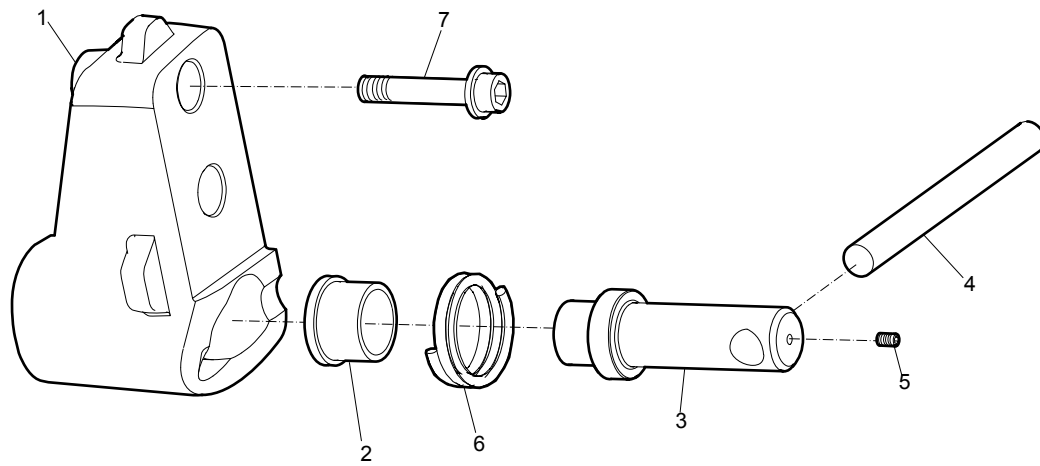
| No. | Description | Remark | Quantity | Part number |
|------------------------|------------------------------------|---|----------|--------------|
| 1 | Shock absorber | | 2 | 4700 7913 73 |
| 2 | Washer | 10.5 x 22 x 2 mm 0.41 x 0.87 x 0.08 in. 300 HV | 5 | - |
| 3 | Nut | M10 A3K | 4 | - |
| 4 | Screw | M10 x 60 mm 8.8 A3K | 2 | - |
| 5 | Pipe clamp | | 2 | 4700 9210 31 |
| 6 | Screw | M6 x 16 mm A2K | 2 | - |
| 7 | Washer | 6.4 x 12 x 1.5 mm 0.25 x 0.47 x 0.06 in. 300 HV | 4 | - |
| 8 | Nut | M6 A2K | 2 | - |
| 9 | Washer | 6.4 x 22 x 4 mm 0.25 x 0.87 x 0.16 in. 300 HV | 1 | - |
| 10 | Screw | | 2 | 4700 3823 22 |
| 11 | Bushing | | 2 | 4700 3823 21 |
| 12 | Screw | M10 x 22mm | 1 | 4700 5000 27 |
| 13 | Hook | | 1 | 4700 3824 96 |
| 14(15,18,21-24) | Handle, complete | | 1 | 3382 0100 15 |
| 15(16-17) | Direction control, complete | | 1 | 4700 9404 52 |
| 16 | Handle | | 1 | 4700 9405 00 |
| 17 | Control cable | | 1 | 4700 9405 01 |
| 18(19-20) | Vibration control, complete | | 1 | 4700 9391 26 |
| 19 | Handle | | 1 | 4700 9395 60 |
| 20 | Control cable | | 1 | 4700 9395 61 |
| 21 | Control handle | | 1 | 4700 9405 34 |
| 22 | Handle | | 1 | - |
| 23 | Push button | Old version, for threaded trigger shaft. | 1 | 4700 9403 31 |
| 24 | Push button | New version, for trigger shaft with lock pin for the push button. | 1 | 3382 1001 87 |

Throttle control



| No. | Description | Remark | Quantity | Part number |
|--------|----------------------------|--|----------|--------------|
| 1(2-3) | Throttle control, complete | | 1 | 4700 3961 53 |
| 2 | Handle | | 1 | 4700 3971 14 |
| 3 | Throttle cable | | 1 | 4700 3961 07 |
| 4 | Bracket | | 1 | 4700 2812 28 |
| 5 | Spacer | | 3 | 4700 3821 66 |
| 6 | Lever | | 1 | 4700 3855 98 |
| 7 | Nipple | | 1 | 4700 2812 36 |
| 8 | Bracket | | 1 | 4812 0701 15 |
| 9 | Lock nut | M6 x 1 mm A2K | 1 | - |
| 10 | Spacer | | 1 | 4700 3944 17 |
| 11 | Screw | M6 x 16 mm 8.8 A2 | 1 | - |
| 12 | Screw | M5 x 30 mm A2-70 | 4 | - |
| 13 | Clamp | 10 x 6.4 x 15 mm | 1 | 4700 7913 41 |
| 14 | Screw | M6 x 16 mm 8.8 A2K | 1 | - |
| 15 | Washer | 6.4 x 12 x 1.5 mm 0.25 x 0.47 x 0.06 in. 300 HV | 1 | - |

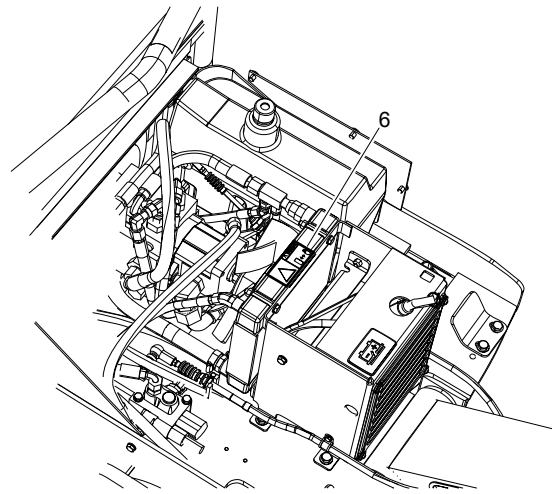
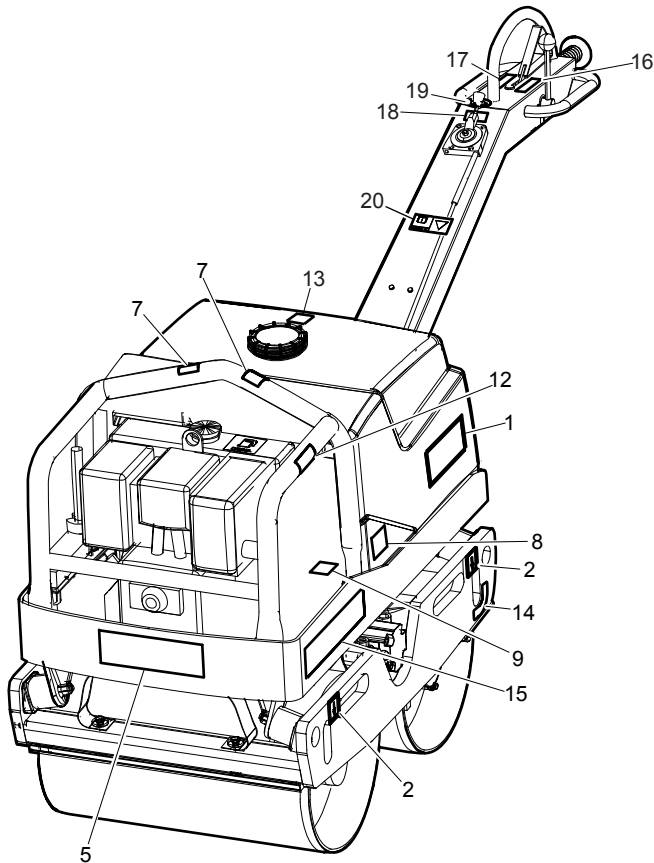
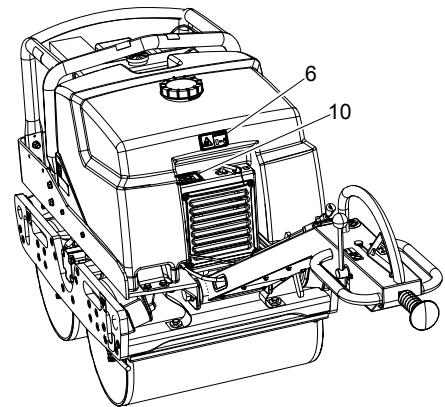
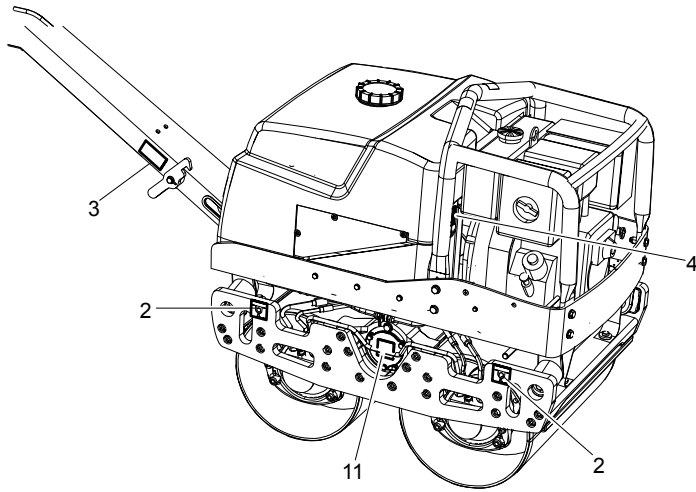
Handbrake



| No. | Description | Remark | Quantity | Part number |
|-----|-------------|--|----------|--------------|
| 1 | Housing | | 1 | 4700 3843 50 |
| 2 | Bushing | | 1 | 4700 2868 32 |
| 3 | Shaft | | 1 | 4700 3843 51 |
| 4 | Handle | | 1 | 4700 3843 61 |
| 5 | Set screw | | 1 | - |
| 6 | Spring | 3 x 25 x 30 mm 0.19 x 0.98 x 1.18 in. | 1 | 4700 2868 31 |
| 7 | Screw | M12 x 60 mm 12.9 DACROMET® | 1 | 4700 7913 60 |

DACROMET® is a registered trademark of Nof Metal Coatings North America Inc.

Labels



| No. | Description | Remark | Quantity | Part number |
|-----|-------------------|----------------------------|----------|--------------|
| 1 | Product label | "Atlas Copco" | 2 | 3382 0100 22 |
| 2 | Label | Tie down point | 4 | 4700 3827 51 |
| 3 | Safety label | Lock handle | 1 | 4700 7913 66 |
| 4 | Label | Hydraulic oil level | 1 | 4700 2723 73 |
| 5 | Product label | "Atlas Copco" | 1 | 3382 0100 23 |
| 6 | Safety label | Rotating engine components | 2 | 4700 9034 23 |
| 7 | Label | Lift point | 2 | 4700 3575 87 |
| 8 | Nosie level label | | 1 | 4700 7912 95 |
| 9 | Label | Engine start | 1 | 4700 2725 16 |
| 10 | Label | Battery power | 1 | 4700 9048 35 |
| 11 | Label | Sprinkler | 1 | 4700 2723 71 |
| 12 | Safety label | Hot surfaces | 1 | 4700 9034 24 |
| 13 | Label | Water | 1 | 4700 2714 19 |
| 14 | Label | Parking brake | 1 | 4700 3865 15 |
| 15 | Product label | "LP 6500" | 2 | 3382 0100 24 |
| 16 | Label | Vibration | 1 | 4700 2723 81 |
| 17 | Label | Forward/Reverse | 1 | 4700 2723 82 |
| 18 | Label | Throttle control | 1 | 4700 2842 85 |
| 19 | Label | Use ear protection | 1 | 4700 2818 98 |
| 20 | Safety label | Read instruction manual | 1 | 4700 9046 80 |

Kits

Service kit

One year service kit

Part number 3382 1000 09

| Description | Remark | Quantity | Part number |
|----------------|---|----------|--------------|
| Shock absorber | See section "Lower frame, protective frame and engine plate". | 4 | 4700 9289 41 |
| Screw | M8 x 20 mm | 4 | - |
| Washer | 13 x 42 x 2 mm 0.51 x 0.98 x 0.08 in. 300 HV | 4 | - |
| Shock absorber | See section "Handle". | 2 | 4700 7913 73 |
| Service kit | For engine, 4 x 250 h | 1 | 4700 9457 66 |

Seal kit, hydraulic propulsion pump

| Description | Remark | Quantity | Part number |
|-------------|--------|----------|--------------|
| Seal kit | | 1 | 4700 9391 85 |

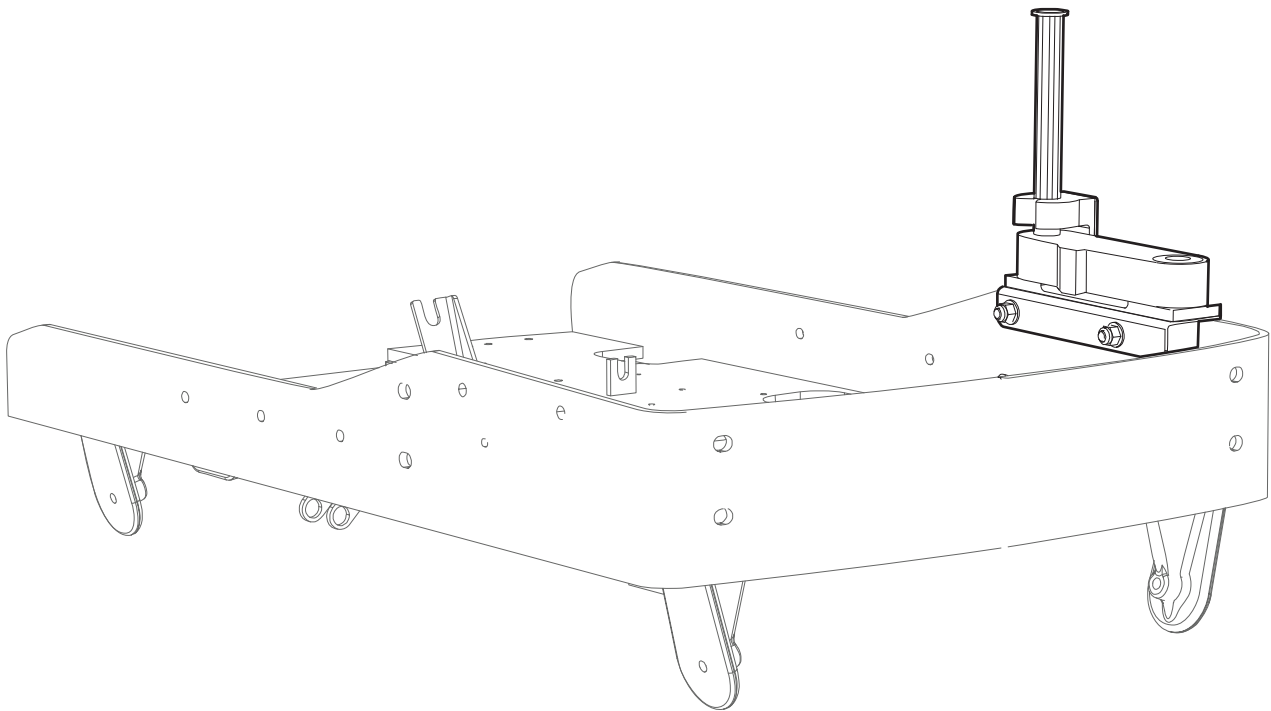
Seal kit, drum motor

| Description | Remark | Quantity | Part number |
|-------------|--------|----------|--------------|
| Seal kit | | 1 | 4700 9391 21 |

Shim kit, drum motor

| Description | Remark | Quantity | Part number |
|-------------|--------|----------|--------------|
| Shim kit | | 1 | 4700 9393 78 |

Safety crank handle kit



| Description | Remark | Quantity | Part number |
|--------------------------------|--|----------|--------------|
| Safety crank handle kit | | 1 | 4700 3778 49 |
| Holder | See section "Engine installation". | 1 | - |
| Safety crank handle | See section "Engine installation". | 1 | - |
| Washer | 0.5 x 22 x 2 mm 0.41 x 0.87 x 0.08 in. 300 HV | 4 | - |
| Screw | M10 x 85 mm 8.8 A3K | 2 | - |
| Nut | M10 | 2 | - |
| Spacer | See section "Engine installation". | 2 | - |



Any unauthorized use or copying of the contents or any part thereof is prohibited.
This applies in particular to trademarks, model denominations, part numbers, and drawings.

© 2013 Atlas Copco Construction Tools AB | No. 9800 1134 01c | 2013-10-08

www.atlascopco.com